

EAGLE **G R O U P**

A Division of AIMCO

PREMIER SERIES **HIGH HORSEPOWER PNEUMATIC GRINDER**



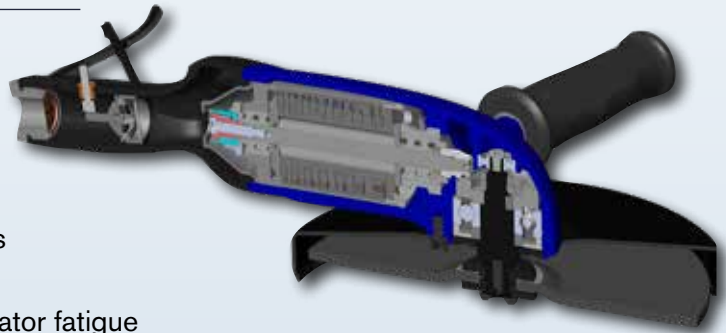
Introducing the “Premier” Series of Pneumatic Grinders for High-Horsepower Metal Removal

Advanced patented air motor design creates the optimum combination of power-to-weight and “pedal-to-the-metal” longevity matched to the environment in which it’s used. *Premier* provides the best for high-horsepower working environments with the GTB Turbine grinder series and GAB/GDB/GVB Vaned Bearing Motor grinder series. One is lube-free by design, the other by choice.

GTB SERIES TURBINE MOTOR DESIGN

Features and Benefits

- 60–100% faster material removal than other grinders on the market
- Lower sensitivity to air-hose pressure variation
- Lower vibration levels
- Oil-free operation ensures a clean surface and is environmentally friendly
- Ergonomic shape for easy control and less operator fatigue
- Low maintenance cost



GAB / GDB / GVB SERIES VANED BEARING MOTOR DESIGN

Features and Benefits

- Rotating Air Motor Cylinder and End Plates create minimal wear on air motor vanes, cylinder, and plates for fewer repairs and less downtime
- Drag-free motor speed increases working power – both under load and over time for maximum productivity



Banko's pneumatic grinders are designed for high-speed material removal and continuous usage under the most extreme conditions in shipyards, metal fabricating, casting, automotive, aerospace, foundry, and construction industries.

Horizontal Grinders



Part #	Collet/Spindle Size	RPM	HP	Length (In.)	Weight	CFM*	Air Inlet	Air Hose Size
GDB31-E18-CE	1/4" Collet	18,000 RPM	2.7 HP	15.1"	4.8 lbs.	34 / 63	1/2" NPT	1/2"
GDB31-E18-CW	5/8" - 11	18,000 RPM	2.7 HP	14.6"	4.9 lbs	34 / 63	1/2" NPT	1/2"

Angle Grinders



Part #	Collet/Spindle Size	RPM	HP	Length (In.)	Weight	CFM*	Air Inlet	Air Hose Size
GAB31-A12-DW	5"	12,000 RPM	2.4 HP	13.25"	5.7 lbs.	34 / 67	1/2" NPT	1/2"
GAB31-A85-DW	7"	8,500 RPM	2.4 HP	13.25"	5.7 lbs.	34 / 67	1/2" NPT	1/2"
GAB41-A85-DW	7"	8,500 RPM	3.75 HP	13.25"	7.5 lbs.	38 / 105	1/2" NPT	3/4"
GAB41-A60-DW	9"	6,000 RPM	3.75 HP	13.25"	7.5 lbs.	38 / 105	1/2" NPT	3/4"

Vertical Grinders



Part #	Collet/Spindle Size	RPM	HP	Length (In.)	Weight	CFM*	Air Inlet	Air Hose Size
GVB51P-V85-DW	7"	8,500 RPM	4.3 HP	8.3"	10.8 lbs.	35 / 110	1/2" NPT	3/4"
GVB51P-V60-DW	9" or 6"	6,000 RPM	4.3 HP	8.3"	10.8 lbs.	35 / 110	1/2" NPT	3/4"

Turbine Grinders



Part #	Abrasive Size	RPM	HP	Length (In.)	Weight	CFM*	Air Inlet	Air Hose Size
GTB31-A12-DW	5"	12,000 RPM	4.6 HP	13.3"	5.7 lbs.	30 / 95	1/2" NPT	1/2"
GTB41-A85-DW	7"	8,500 RPM	6.5 HP	13.3"	7.0 lbs.	38 / 131	1/2" NPT	3/4"
GTB41-A60-DW	9" or 6"	6,000 RPM	6.5 HP	13.3"	7.0 lbs.	38 / 131	1/2" NPT	3/4"

Clean Dry Non Lubricated Air Required for Turbine Motors (Optional for Vaned).

* CFM Air Consumption readings are Static/Dynamic (at 90 psi)



AIMCO CORPORATE HEADQUARTERS

10000 SE Pine Street
Portland, Oregon 97216
Phone: (503) 254-6600
Toll Free: 1-800-852-1368

AIMCO CORPORATION DE MEXICO SA DE CV

Ave. Cristobal Colon 14529
Chihuahua, Chihuahua. 31125
Mexico
Phone: (01-614) 380-1010
Fax: (01-614) 380-1019