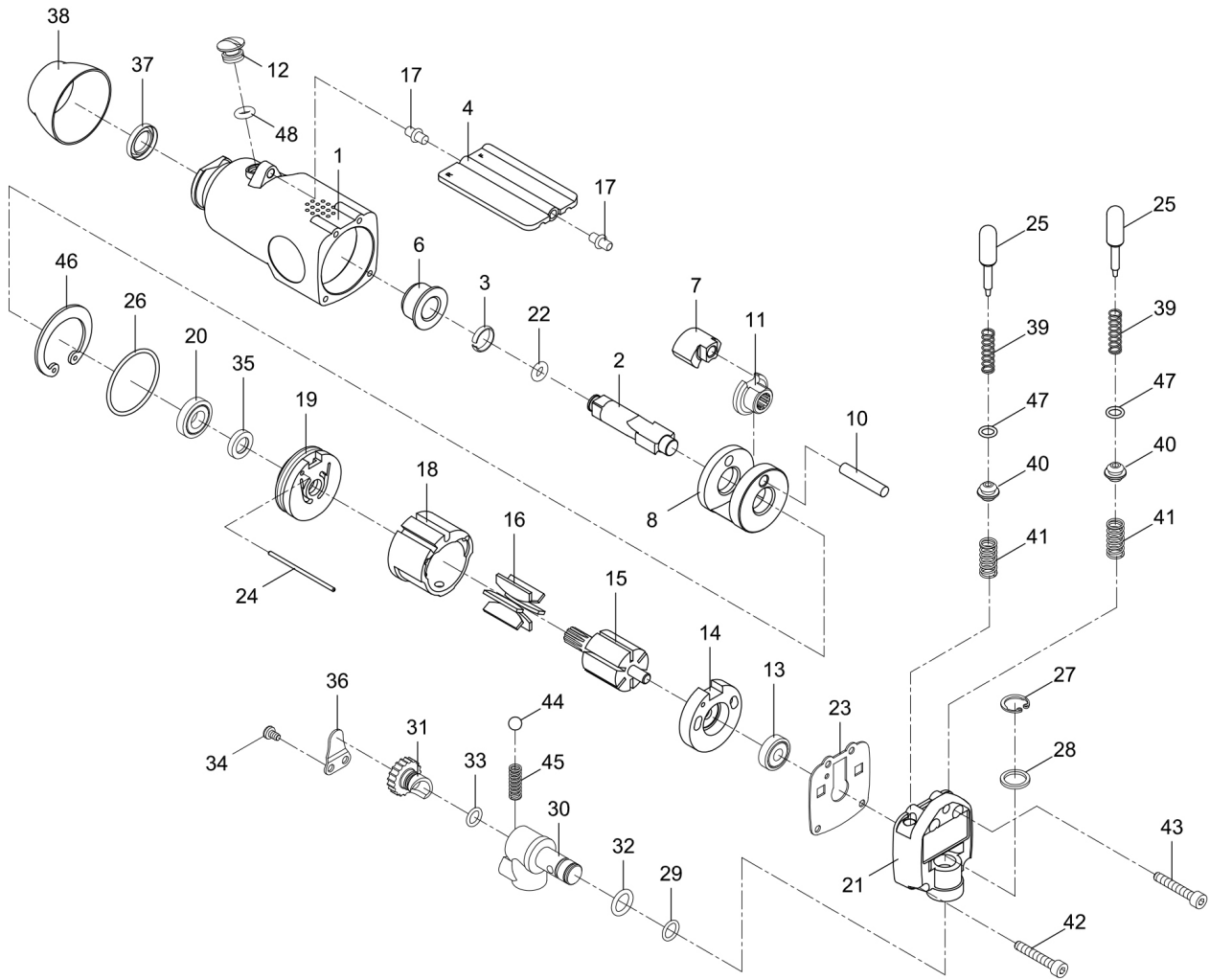


2010 3/8" IMPACT WRENCH

EXPLODED VIEW



PARTS LIST — FOR REFERENCE ONLY

Index Number	Part Number	Description	Qty.	Index Number	Part Number	Description	Qty.	Index Number	Part Number	Description	Qty.
1	40101	Motor Housing	1	20	040120	Ball Bearing (EE3)	1	37	40138	Oil Seal	1
2	40102	Anvil	1	21	40121	Back Cap	1	38	40139	Rubber Nose Guard	1
3	40103	Retaining Ring	1	22	OR00307108	O-Ring (3.68 x 1.78)	1	39	40140	Plunger Spring	2
4	40104	Throttle Lever	1	23	40123	Back Cap Gasket	1	40	40141-12	Valve Seat	2
6	40106	Anvil Bushing	1	24	40124	Motor Pin (2 x 54L)	1	41	40142	Valve Spring	2
7	40107	Hammer	1	25	40125-12	Plunger	2	42	40143	Short Cap Screw (M4 x 20L)	2
8	40108	Hammer Cage	1	26	40126	O-Ring (S36)	1	43	40144	Long Cap Screw (M4 x 25L)	2
10	40110	Hammer Pin (6 x 32L)	1	27	40128	Snap Ring (ISTW-12)	1	44	40145	Steel Ball (1/8")	1
11	40111	Cam	1	28	40129	Washer	1	45	40146	Spring	1
12	40112	Oil Screw	1	29	40130	O-Ring (8.8 x 1.7)	1	46	40149	Snap Ring (RTW-39)	1
13	030113	Ball Bearing (626zz)	1	30	40131	Air Inlet Block	1	47	OR00400105	O-Ring (4 x 1.5)	2
14	40114	Rear End Plate	1	31	40132	Regulator	1	48	70107	O-Ring (P5)	1
15	40115	Rotor	1	32	40133	O-Ring (P11)	1				
16	40116	Rotor Blade	6	33	40134	O-Ring (7.65 x 1.78)	1				
17	40117	Throttle Pin	2	34	40135	Screw (M4 x 6L)	2				
18	40118	Cylinder	1	35	40136	Oil Seal	1				
19	40119	Front End Plate	1	36	40137	Retainer Plate	1				

FOOTNOTES

EAGLE GROUP
A Division of AIMCO

1000 SE PINE
PORTLAND, OR 97216
503-254-6600
FAX 503-255-2615

When ordering spare parts, please specify tool type, part number, and description