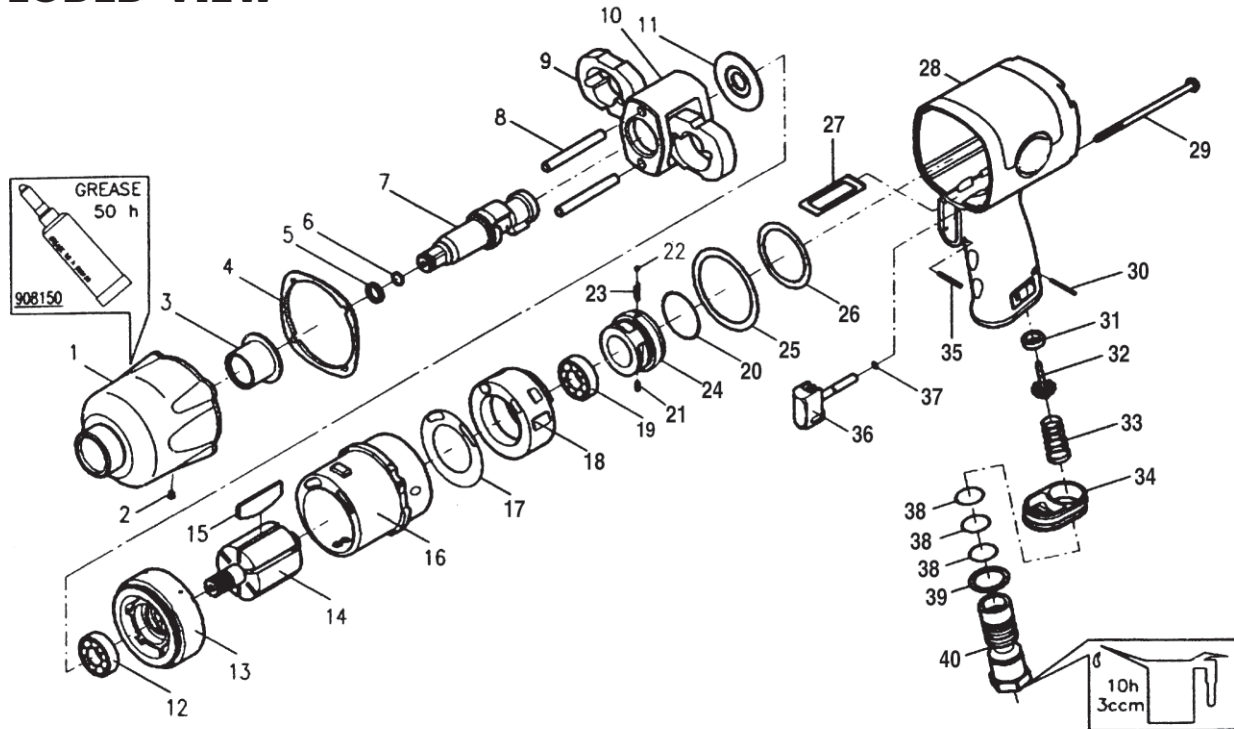


2163EC, 2258EC IMPACT WRENCH

EXPLODED VIEW



PARTS LIST — FOR REFERENCE ONLY

Index Number	Part Number	Description	Qty.	Index Number	Part Number	Description	Qty.
1	243F-002	Hammer Case	1	22	00-3805	Steel Ball	1
2	00-4603	Grease Fitting	1	23	301-034	Spring	1
3	242-010	Anvil Bushing	1	24	243F-021	Reverse Valve	1
4	243F-020	Front Gasket	1	25	243F-030	Rear Gasket	1
5	242-026	Anvil Collar (3/8" Square)	1	26	243F-031	Washer	1
	250-033	Anvil Collar (1/2" Square)	1	27	243F-019	Air Channel Gasket	1 ▲
6	00-4144	O-Ring (3/8" Square)	1	28	243F-001	Motor Housing	1
	00-4103	O-Ring (1/2" Square)	1	29	243F-028	Screw	4
7	243F-011NA3	Anvil (3/8" Square)	1	30	00-3308	Spring Pin	1
	243F-011NA4	Anvil (1/2" Square)	1	31	306-027-B	Bushing	1
8	243-016	Hammer Pin	2	32	306-026	Valve Stem	1
9	243-017	Hammer	2	33	305F-026	Spring	1
10	243-012	Hammer Cage	1	34	306-030	Exhaust Deflector	1
11	243-020	Rear Washer	1	35	00-3326	Spring Pin	1
12	00-2306	Ball Bearing	1	36	305F-024-B	Trigger	1
13	243F-005	Front End Plate	1	37	00-4101	O-Ring	1
14	243F-007	Rotor	1	38	00-4143	O-Ring	3
15	243F-008	Rotor Blade	6	39	305F-032	Washer	1
16	243F-006	Complete Cylinder Set	1 ▲	40	305F-025C	Air Inlet (1/4" PF)	1
17	243F-033	Valve Sleeve Gasket	1 ▲				
18	243F-029	Valve Sleeve	1 ▲				
19	00-2326	Ball Bearing	1 ▲				
20	00-4158	O-Ring	1				
21	00-3345	Spring Pin	1				

NOTES

- Parts for RC2163EC (3/8" Impact Wrench)
- Parts for RC2258EC (1/2" Impact Wrench)
- ▲ 243F-006 Complete Cylinder Set

EAGLE

10000 SE Pine Street
Portland, OR 97216
503-254-6600
FAX 503-255-2615

When ordering spare parts, please specify tool type, part number and description.

Eagle also offers a complete line of standard & special adapters, bits, sockets and extensions.