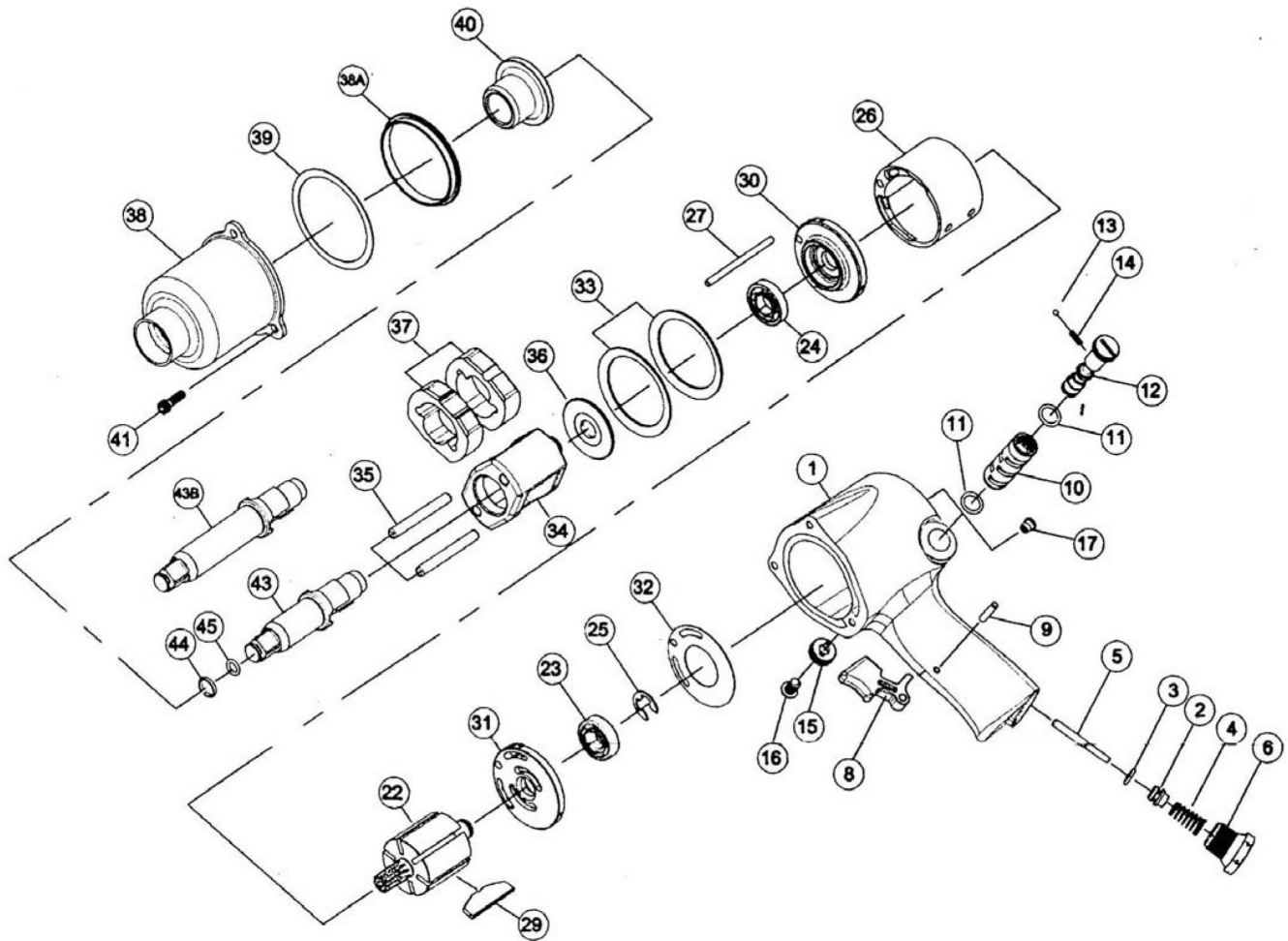


2256 & 2257 1/2" IMPACT WRENCH

EXPLODED VIEW



PARTS LIST — FOR REFERENCE ONLY

Index Number	Part Number	Description	Qty.	Index Number	Part Number	Description	Qty.	Index Number	Part Number	Description	Qty.
1	95074-01	Motor Housing Assy.	1	27	95074-22	Cylinder Dowel	1		2256-RK	Repair Kit	1
10		Reverse Valve Bushing	1	30	95074-24	Front End Plate Bushing	1			(parts available in kit only)	
17		Grease Fitting	1	31	95074-25	Rear End Plate	1	3		Throttle Valve Face	1
2	95074-02	Throttle Valve	1	33	95074-27	Motor Clamp Washer	2	4		Throttle Valve Spring	1
5	95074-05	Throttle Valve Stem	1	34	95074-28	Hammer Frame	1	11		Reverse Valve Bushing Seal	2
6	95074-06	Air Strainer Assembly	1	35	95074-29	Hammer Pin	2	23		Rear Rotor Bearing	1
8	95074-07	Trigger	1	36	95074-30	Hammer Frame Rear Washer	1	24		Front Rotor Bearing	1
9	95074-08	Trigger Pin	1	37	95074-31	Hammer	2	29		Rotor Blade	6
12	95074-11	Revers Valve	1	38	95074-32	Hammer Case	1	32		End Plate Gasket	1
13	95074-12	Reverse Valve Detent Seal	1	38A	95074-33	Hammer Case Pilot	1	39		Hammer Case Gasket	1
14	95074-13	Reverse Valve Detent Spring	1	40	95074-35	Hammer Case Bushing	1	44		Socket Retainer	1
15	95074-14	Reverse Valve Knob	1	41	95074-36	Hammer Case Cap Screw	3	45		Retainer O-Ring	1
16	95074-15	Reverse Valve Knob Screw	1	43		Standard Anvil for 2256 (includes #44 & #45)	1				
22	95074-17	Rotor	1	43B		2" Extended Anvil for 2257 (includes #44 & #45)	1				
25	95074-20	Rear Rotor Bearing Retainer	1								
26	95074-21	Cylinder	1								

EAGLE GROUP
A Division of AIMCO

10000 SE PINE
PORTLAND, OR 97216
503-254-6600
FAX 503-255-2615

When ordering spare parts, please specify tool type, part number, and description

FOOTNOTES