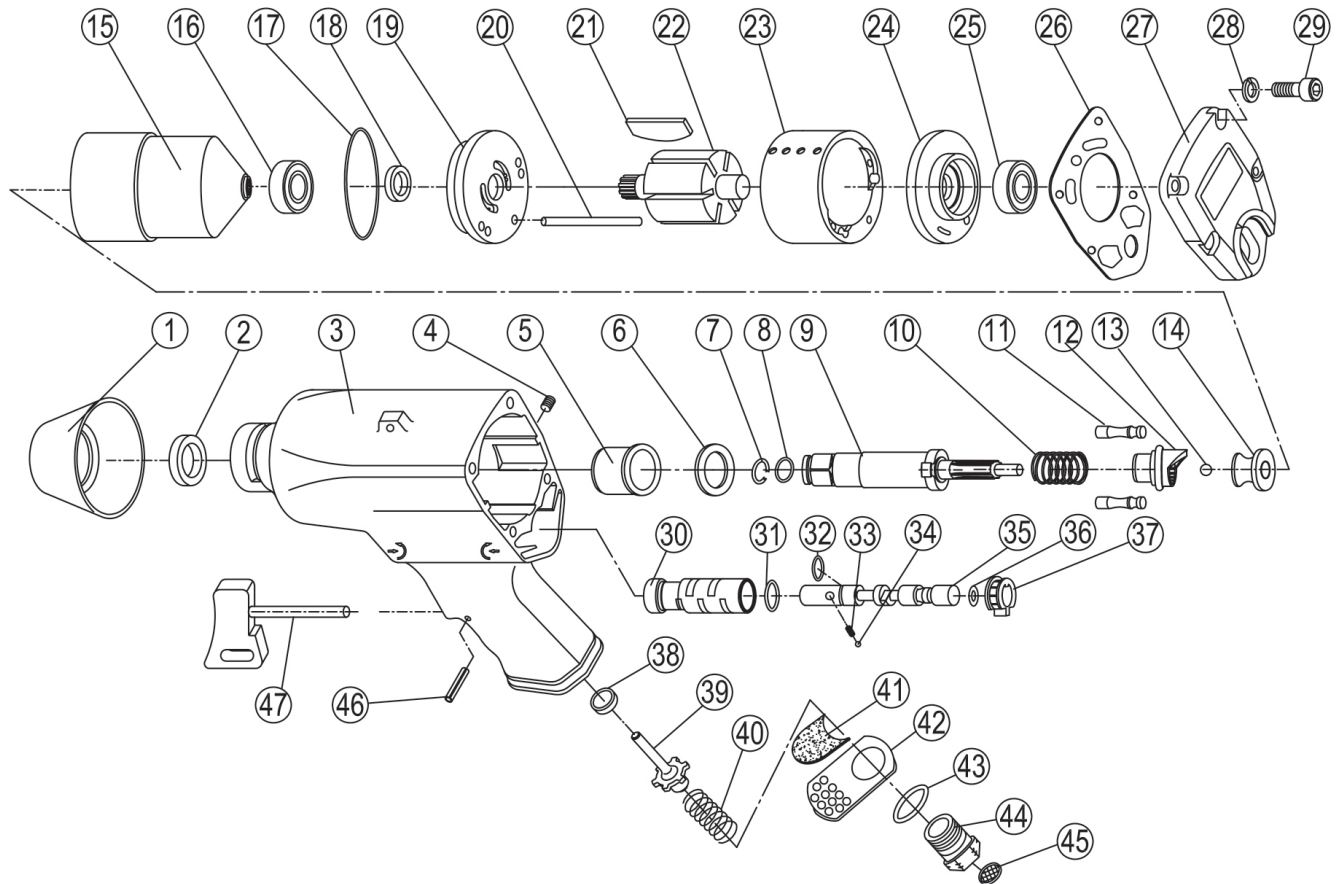


2260 1/2" PIN CLUTCH IMPACT WRENCH

EXPLODED VIEW



PARTS LIST — FOR REFERENCE ONLY

Index Number	Part Number	Description	Qty.	Index Number	Part Number	Description	Qty.	Index Number	Part Number	Description	Qty.	
1	2260-1	Rubber Protector Jacket	1		2260-RK	Parts available as kit only	1	30	2260-30	Regulator Valve Bushing	1	
2	2260-2	Oil Seal 23.9 x 17 x 4.2	1	16		Ball Bearing 16002	1	31	2260-31	O-Ring 9 x 1.5	1	
3	2260-3	Housing	1	18		Oil Seal 25 x 15 x 4	1	32	2260-32	O-Ring 12 x 1.5	1	
4	2260-4	Set Screw PT1/16-28 x 6	1	21		Rotor Blade	6	33	2260-33	Spring	1	
5	2260-5	Hammer Case Bushing	1	25		Ball Bearing 6001	1	34	2260-34	Steel Ball 4	1	
6	2260-6	Spacer	1	26		Rear Cover Gasket	1	35	2260-35	Regulator Valve	1	
7	2260-7	Retainer Ring	1	41		Muffler	1	36	2260-36	O-Ring 8.5 x 3.5	1	
8	2260-8	O-Ring 7 x 2	1		17	2260-17	O-Ring 47.5 x 2	1	37	2260-37	Regulator Valve Knob	1
9	2260-9	Anvil	1		19	2260-19	Front End Plate	1	38	2260-38	Valve Nut Gasket	1
10	2260-10	Spring	1		20	2260-20	Lock Pin 4 x 54.5	1	39	2260-39	Throttle Valve Assembly	1
11	2260-11	Hammer Pin	2		22	2260-22	Rotor	1	40	2260-40	Spring	1
12	2260-12	Cam	1		23	2260-23	Cylinder	1	42	2260-42	Exhaust Cover	1
13	2260-13	Steel Ball 5/16"	1		24	2260-24	Rear End Plate	1	43	2260-43	O-Ring 20 x 1.2	1
14	2260-14	Cam Foundation	1		27	2260-27	Rear Cover	1	44	2260-44	Air Inlet	1
15	2260-15	Hammer Frame Assembly	1		28	2260-28	Spring Washer M5	4	45	2260-45	Filter Net	1
					29	2260-29	Cap Screw M5 x 16	4	46	2260-46	Spring Pin 2 x 18	1
									47	2260-47	Trigger	1

FOOTNOTES

EAGLE GROUP
A Division of AIMCO

10000 SE PINE
PORTLAND, OR 97216
503-254-6600
FAX 503-255-2615

When ordering spare parts, please specify tool type, part number, and description