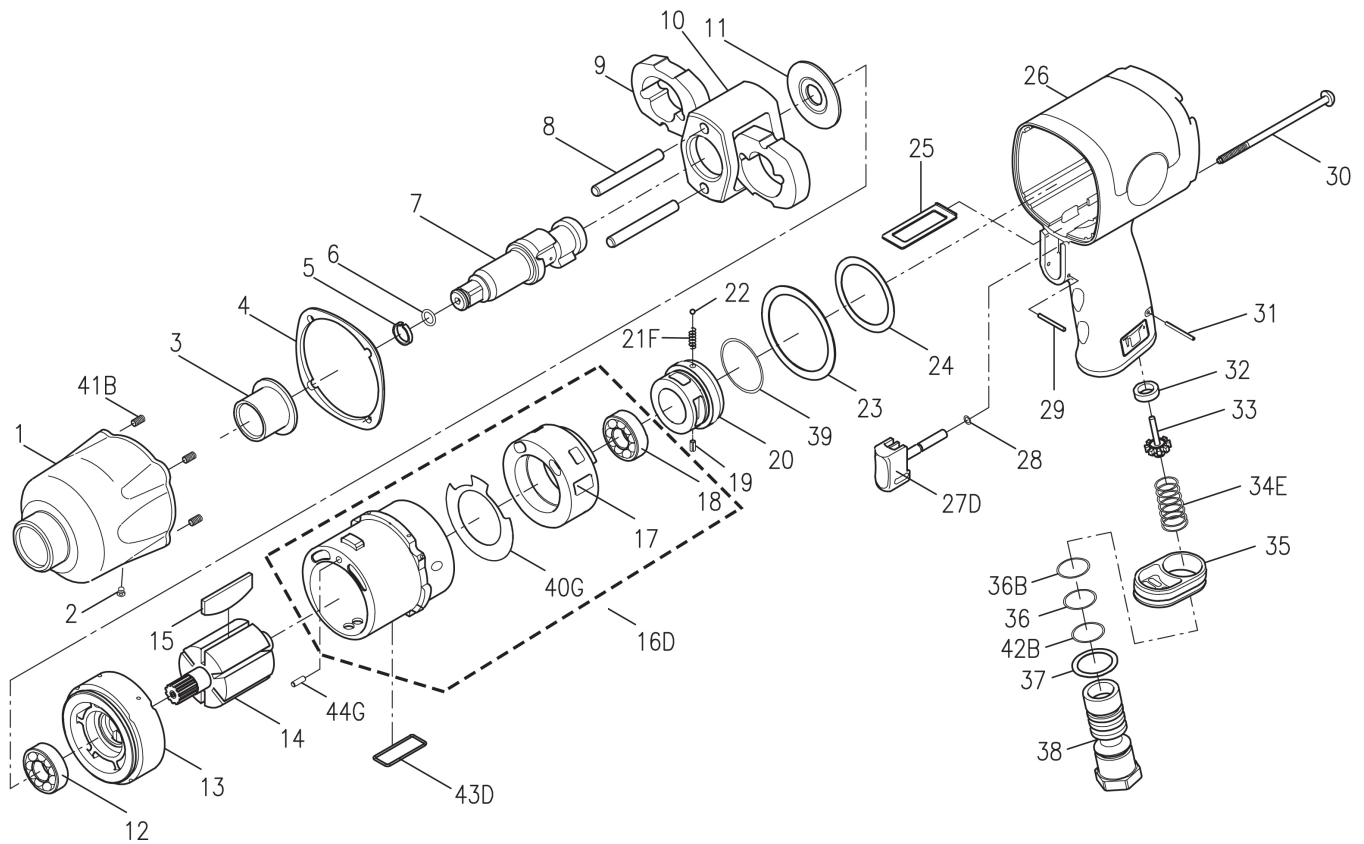


# 2263EC 1/2" PNEUMATIC IMPACT WRENCH

## EXPLODED VIEW



## PARTS LIST — FOR REFERENCE ONLY

Index Number	Part Number	Description	Qty.	Index Number	Part Number	Description	Qty.	Index Number	Part Number	Description	Qty.
1	305F-002B	Hammer Case	1	20	305F-021	Reverse Valve	1	41B	00-4301	Inserts Recoil	4
2	00-4603	Grease Fitting	1	21F	305F-034B	Spring	1	42B	00-4127	O-Ring	1
3	305-010B-C	Anvil Bushing	1	22	00-3805	Steel Ball	1	43D	305H-041	Square Ring	1
4	305F-020	Front Gasket	1	23	305F-030	Rear Gasket	1	44G	00-3435	Pin	1
5	250-033	Anvil Collar	1	24	305F-031	Washer	1				
6	00-4103	O-Ring	1	25	305F-019	Air Channel Gasket	1				
7	305-011NA4	Anvil	1	26	305F-001	Motor Housing	1				
	305-011NB4	2" Anvil	1	27D	305F-024-C	Trigger	1				
8	305-016	Hammer Pin	2	28	00-4101	O-Ring	1				
9	305-017-B	Hammer	2	29	00-3326	Spring Pin	1				
10	305-012	Hammer Cage	1	30	305F-028	Screw	4				
11	305-020-B	Rear Washer	1	31	00-3308	Spring Pin	1				
12	00-2317	Ball Bearing	1	32	306-027-B	Bushing	1				
13	305F-005	Front End Plate	1	33	306-026	Valve Stem	1				
14	305F-007	Rotor	1	34E	305F-026-B	Spring	1				
15	301-008	Rotor Blade	6	35	305-021	Exhaust Deflector	1				
16D	305F-006-B	Cylinder Kit	1	36	00-4143	O-Ring	1				
17		Valve Sleeve	1	36B	00-4126	O-Ring	1				
18		Ball Bearing 6001	1	37	305F-032	Washer	1				
19		Spring Pin	1	38	305F-025A-B	Air Inlet (1/4" PF)	1				
40G		Valve Sleeve Gasket	1	39	00-4174	O-Ring	1				

## FOOTNOTES

**EAGLE GROUP**  
A Division of AIMCO

10000 SE PINE  
PORTLAND, OR 97216  
503-254-6600  
FAX 503-255-2615

When ordering spare parts, please specify tool type, part number, and description

REVISED 09/16