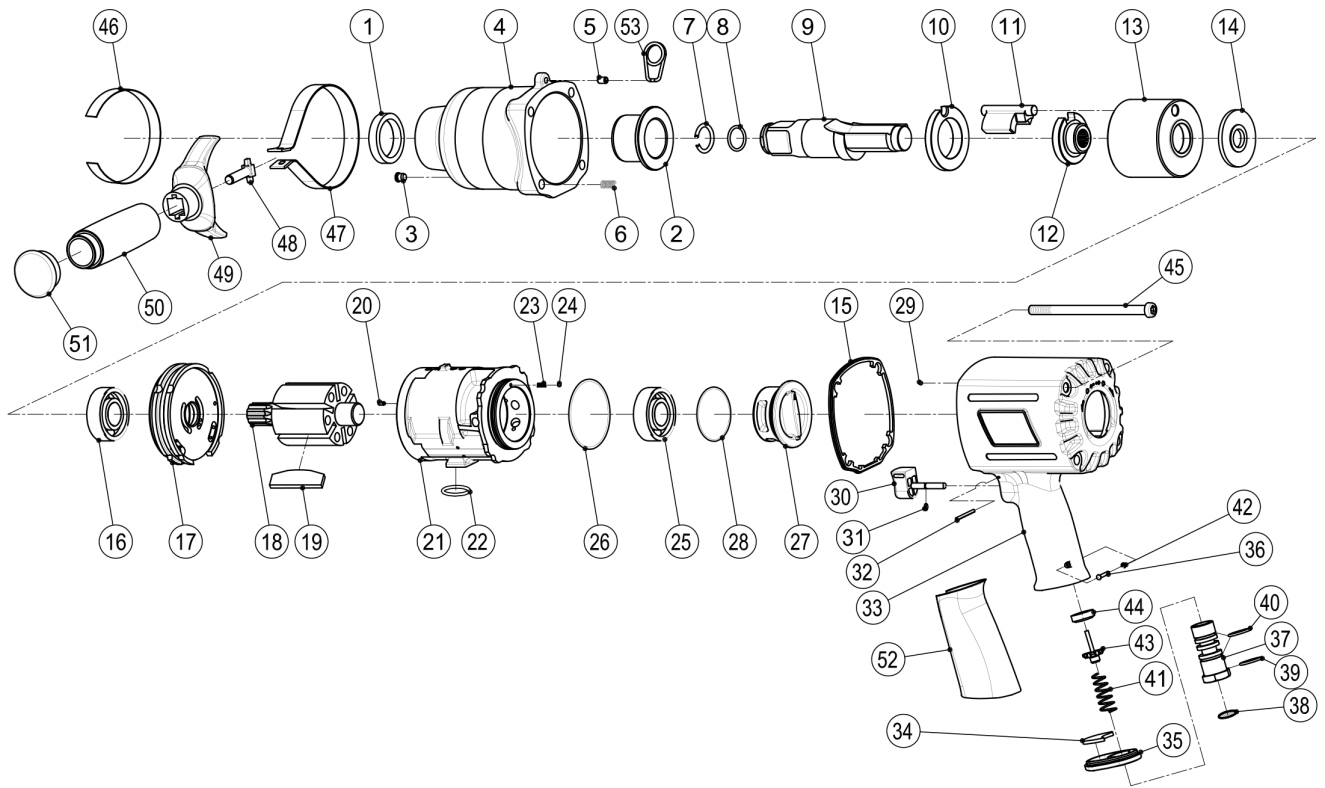


# 2380 (3/4" ANVIL) & 2480 (1" ANVIL) IMPACT WRENCH

## EXPLODED VIEW



## PARTS LIST — FOR REFERENCE ONLY

Index Number	Part Number	Description	Qty.	Index Number	Part Number	Description	Qty.	Index Number	Part Number	Description	Qty.
1	2380-1	Oil Seal 44 x 34 x 8	1	19	2380-19	Rotor Blade	6	40	2380-40	O-Ring 16 x 2	2
2	2380-2	Bushing	1	20	2380-20	Spring pin 2 x 6	1	41	2380-41	Throttle Spring	1
3	2380-3	Grease Fitting 1/4	1	21	2380-21	Cylinder	1	42	2380-42	Snap Ring E2	1
4	2380-4	Hammer Case	1	22	2380-22	O-Ring 11 x 2.5	1	43	2380-43	Throttle Valve Assembly	1
5	2380-5	Spring Pin 5 x 8	1	23	2380-23	Spring	1	44	2380-44	Valve Nut Gasket	1
6	2380-6	Helicoil Insert M8 x 2D	4	24	2380-24	Steel Ball 2.5	1	45	2380-45	Button Headed Bolt M8 x 125	4
7	2480-71	Retainer Ring (1" Sq.Dr.)	1	25	2380-25	Ball Bearing 6204Z	1	46	2380-46	Inside Rubber Hoop	1
	2380-775	Retainer Ring (3/4" Sq. Dr.)	1	26	2380-26	O-Ring 57 x 2	1	47	2380-47	Handle Hoop	1
8	2480-81	Q-Ring 18 x 2.5 (1" Sq. Dr.)	1	27	2380-27	Knob	1	48	2380-48	Adjusting Screw	1
	2380-875	O-Ring 12 x 2 (3/4" Sq. Dr.)	1	28	2380-28	O-Ring 44 x 1.5	1	49	2380-49	Stationary Barrier	1
9	2480-91	Anvil (1" Sq. Dr.)	1	29	2380-24	Steel Ball 2.5	8	50	2380-50	Handle	1
	2380-975	Anvil (3/4" Sq. Dr.)	1	30	2380-30	Trigger	1	51	2380-51	Choke Plug	1
10	2380-10	Hammer Cage Lid	1	31	2380-31	O-Ring 3 x 1	1	52	2380-52	Rubber Protector (Optional)	1
11	2380-11	Hammer	1	32	2380-32	Spring Pin 2 x 24	1	53	2380-53	Hook Ring (Optional)	1
12	2380-12	Drive Cam	1	33	2380-33	Housing	1				
13	2380-13	Hammer Cage	1	34	2380-34	Muffler	1				
14	2380-14	Rear Washer	1	35	2380-35	Exhaust Cover	1				
15	2380-15	Rubber Sealing Washer	1	36	2380-36	Pin	1				
16	2380-16	Ball Bearing 6204Z	1	37	2380-37	Air Inlet	1				
17	2380-17	Front End Plate	1	38	2380-38	Filter Net 3/8	1				
18	2380-18	Rotor	1	39	2380-39	O-Ring 20 x 1.5	1				

AIMCO also offers a complete line of standard & special adapters, bits, sockets, and extensions

## FOOTNOTES

**EAGLE GROUP**  
A Division of AIMCO

10000 SE PINE  
PORTLAND, OR 97216  
503-254-6600  
FAX 503-255-2615

When ordering spare parts, please specify tool type, part number, and description