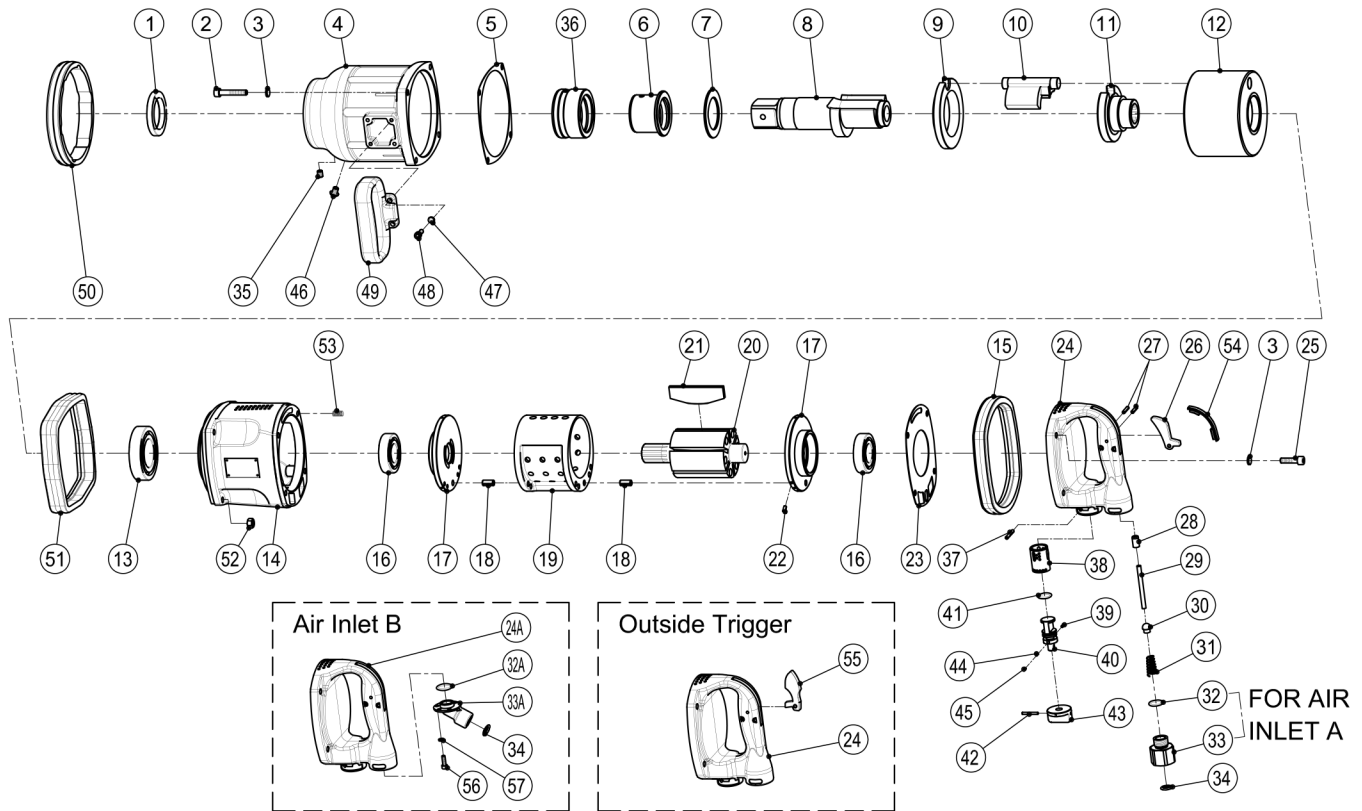


2550 PINLESS HAMMER IMPACT WRENCH 1 1/2"

EXPLODED VIEW



PARTS LIST — FOR REFERENCE ONLY

Index Number	Part Number	Description	Qty.	Index Number	Part Number	Description	Qty.	Index Number	Part Number	Description	Qty.
1	950843-01	Oil Seal 70 x 50 x 9	1	25	950843-25	Cap Screw M8 x 30	4	48	950843-48	Cap Screw M6 x 20	4
2	950843-2	Cap Screw M8 x 45	4	26	950843-26	Inside Trigger	1	49	950843-49	Handle	1
3	950843-3	Spring Washer M8	8	27	950843-27	Spring Pin 4 x 22	2 ●	50	950843-50	Front Band	1
4	950843-04	Hammer Case	1	28	950843-28	Throttle Valve Bushing	1 ●	51	950843-51	Mid Band	1
5	950843-05	Front Gasket	1	29	950843-29	Valve Stem	1 ●	52	950843-52	Lock Nut MB	4
6	950843-06	Bushing B	1	30	950843-30	Air Closer	1 ●	53	950843-53	Helicoil Insert M8 x 2D	4
7	950843-7	Spacer	1	31	950843-31	Throttle Spring	1 ●	54	950843-54	Trigger Band	1
8	950843-08	Anvil	1	32	950843-32	O-Ring 18 x 2.5	1 ●	55	950843-55	Outside Trigger Air Inlet B	1 ●
9	950843-09	Hammer Cage Lid	1	33	950843-33	Air Inlet A	1 ●	56	950843-56	Cap Screw M5 x 16	5
10	950843-10	Hammer	1	34	950843-34	Filter Net 1/2	1 ●	57	950843-57	Spring Washer 5	5
11	950843-11	Drive Cam	1	35	950843-35	Set Screw M8 x 10	1	24A	950843-24A	Handle Frame B	1
12	950843-12	Hammer Cage	1	36	950843-36	Bushing A	1	32A	950843-32A	O-Ring 22 x 2.5	1
13	950843-13	Ball Bearing 6209Z	1	37	950843-37	Spring Pin 4 x 32	1 ●	33A	950843-33A	Air Inlet B	1
14	950843-14	Housing	1	38	950843-38	Reverse Valve Bushing	1 ●				
15	950843-15	Rear Band	1	39	950843-39	Spring Pin 3 x 8	1 ●				
16	950843-16	Ball Bearing 6206Z	2	40	950843-40	Reverse Valve	1 ●				
17	950843-17	Front (Rear) End Plate	2	41	950843-41	O-Ring 17 x 2.5	1 ●				
18	950843-18	Spring Pin 8 x 18	2	42	950843-42	Spring Pin 3 x 26	1 ●				
19	950843-19	Cylinder	1	43	950843-43	Knob	1 ●				
20	950843-20	Rotor	1	44	950843-44	Spring	1 ●				
21	950843-21	Rotor Blade	6	45	950843-45	Steel Ball 4	1 ●				
22	950843-22	Spring Pin 4 x 10	1	46	950843-46	Button Headed Screw M8 x 10	1				
23	950843-23	Rear Gasket	1	47	950843-47	Spring Washer 6	4				

FOOTNOTES

- = Components in Handle Assembly (Outside Trigger) #950843080005

EAGLE GROUP
A Division of AIMCO

10000 SE PINE
PORTLAND, OR 97216
503-254-6600
FAX 503-255-2615

When ordering spare parts, please specify tool type, part number, and description