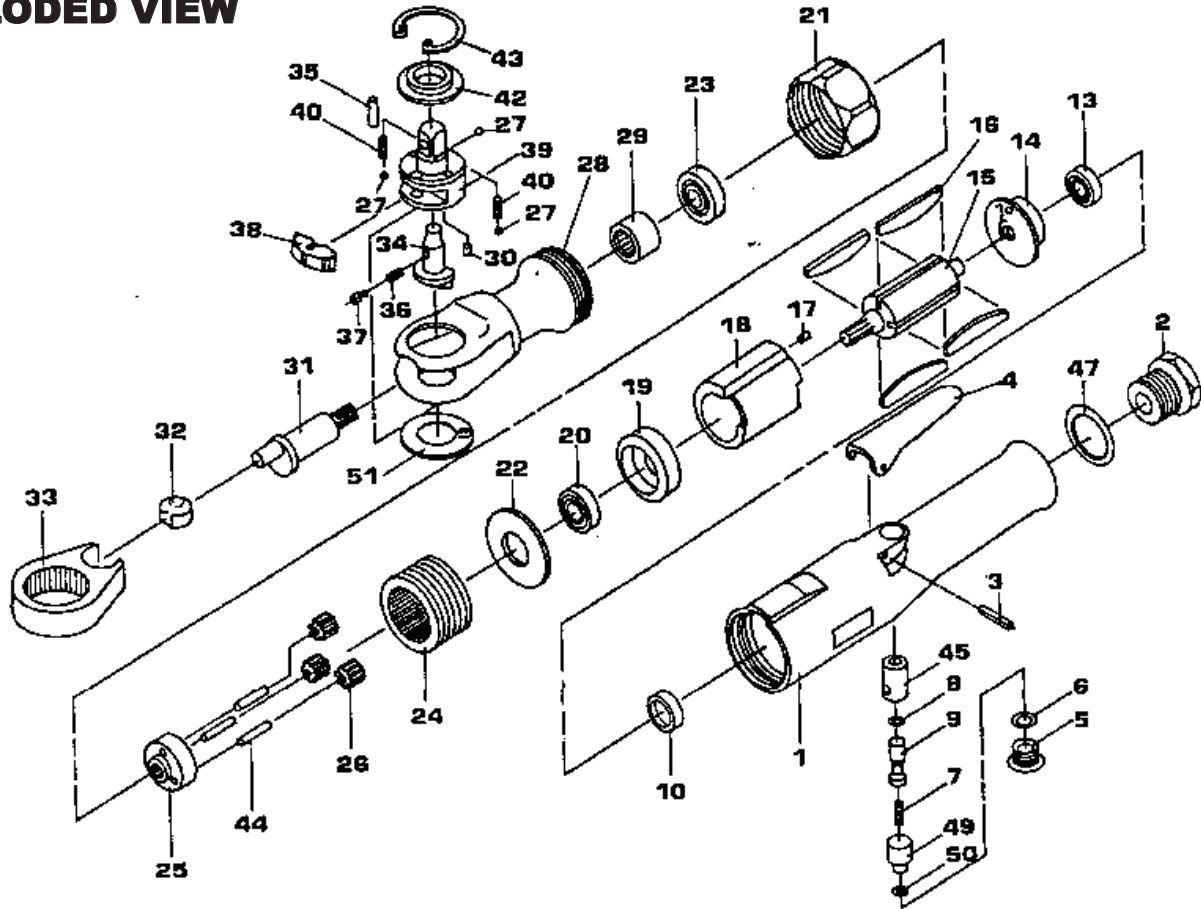


3105 1/2" RATCHET WRENCH

EXPLODED VIEW



PARTS LIST – FOR REFERENCE ONLY

Index Number	Part Number	Description	Qty.	Index Number	Part Number	Description	Qty.	Index Number	Part Number	Description	Qty.
1	HD-12001	MOTOR HOUSING	1	19	HD-12019	FRONT END PLATE	1	34	HD-12034	REVERSE BUTTON	1
2	HD-12002	INLET BUSHING	1	20	BB-60002	BALL BEARING	1*	35	NR-60160	NEEDLE ROLLER	1
3	SP-25220	SPRING PIN	1	21	HD-12021	CLAMP NUT	1	36	HD-10236	REVERSE SPRING	1
4	AR-38005	THROTTLE LEVER	1	22	HD-12022	WASHER	1	37	HD-12037	LOCK PIN	1
5	VP-70041	VALVE SCREW	1	23	BB-6000	BALL BEARING	1	38	HD-10238	PAWL	1
6	ORP-1001	O RING	1	24	HD-12024	INTERNAL GEAR	1	39	HD-12039	RATCHET ANVIL	1
7	VP-70037	VALVE SPRING	1	25	HD-12025	IDLER GEAR PLATE	1	40	HD-12040	SPRING	2
8	ORP-0060	O RING	1	26	HD-12026	IDLER GEAR	1	42	HD-12042	THRUST WASHER	1
9	VP-70037	VALVE STEM	1	27	SB-006	STEEL BALL	1	43	RTW-036	INTERNAL STOP RING	1
10	VP-70011	BEARING CAP	1	28	HD-12028	RATCHET HOUSING	1	44	NR-50223	NEEDLE ROLLER	1
13	BB-06082	BALL BEARING	1*	29	HD-12029	NEEDLE BEARING	1	45	AP-70030	BUSHING	1
14	HD-12014	REAR END PLATE	1	30	SP-25060	SPRING PIN	1	47	ORP-0180	O RING	1
15	HD-12015	ROTOR	1	31	HD-12031	CRANK SHAFT	1	49	AP-70034	AIR REGULATOR	1
16	HD-12016	ROTOR BLADES	4*	32	HD-12032	DRIVE BUSHING	1	50	ORP-0080	AIR REGULATOR	1
17	SP-30060	SPRING PIN	1	33	HD-12033	YOKE	1	51	HD-12051	O RING	1
18	HD-12018	CYLINDER	1								

TECHNICAL DATA

	Max Air Pressure	Recommended Air Hose Size	RPM Free Speed	Max Air Flow CFM	Weight (lbs.)
3105 (Formerly 1005)	90 psi	3/8"	150	21	3.1

FOOTNOTES

* Parts Available in Repair Kit 1005-RK*

EAGLE

10000 SE Pine Street
Portland, OR 97216
503-254-6600
FAX 503-255-2615

When ordering spare parts, please specify tool type, part number and description.

REVISED 7/06