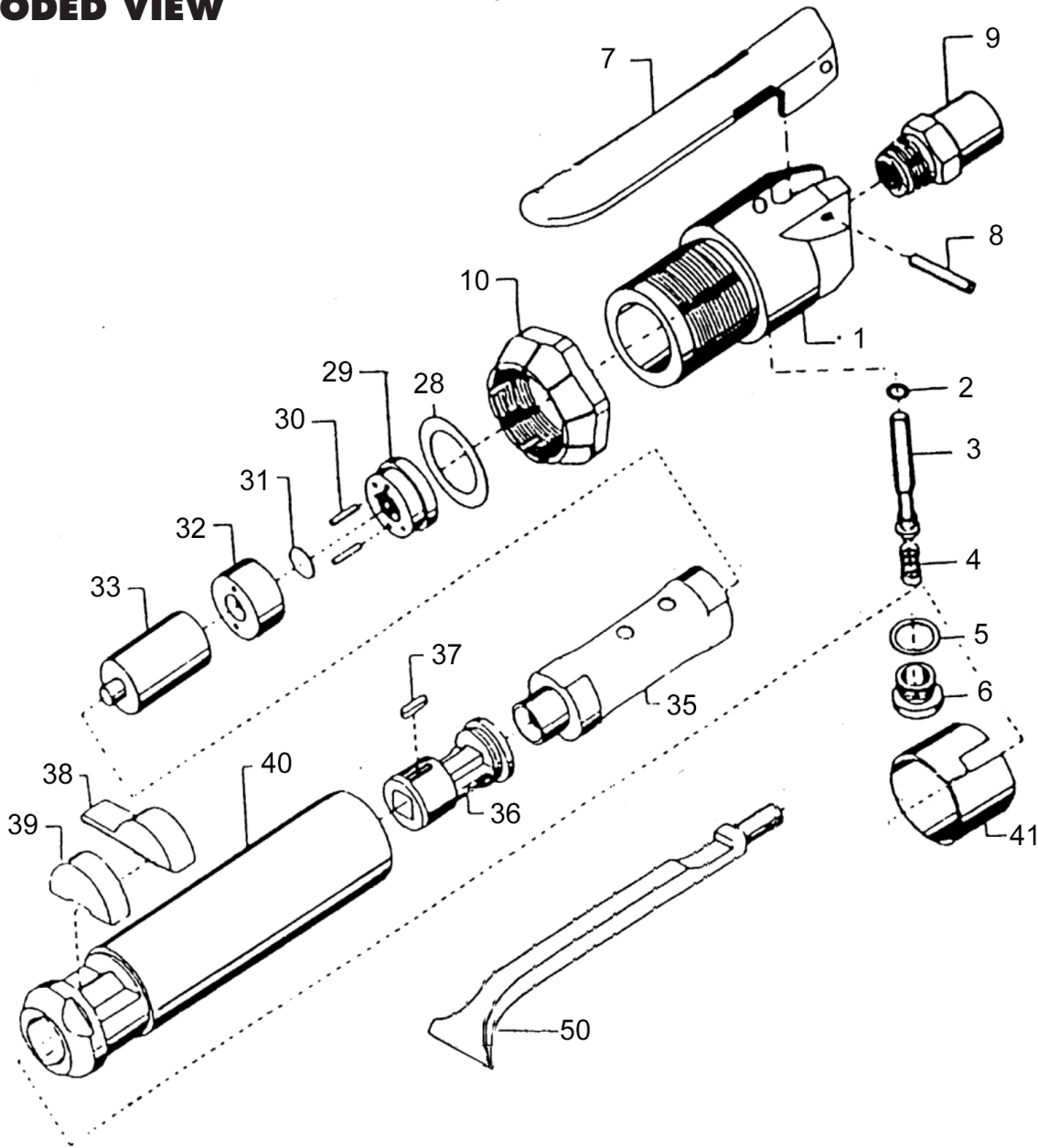


4004 FLUX CHIPPER

EXPLODED VIEW



PARTS LIST — FOR REFERENCE ONLY

Index Number	Part Number	Description	Qty.	Index Number	Part Number	Description	Qty.	Index Number	Part Number	Description	Qty.
1	730213	Back Head	1	33	730219	Piston	1		4004-RK	Repair Kit	1
3	730214	Throttle Valve	1	35	731008	Barrel Sleeve	1			(Parts available in kit only)	
6	730216	Valve Cap	1	36	731009	Nose	1	2		O-Ring 3.2 x 1.9	1
7	730217	Lever	1	37	731010	Key	1	4		Spring	1
8	729538	Pin	1	38	730220	Driver Retainer	1	5		Gasket 7.8 x 2.4 (P8)	1
9	729747	Hose Adapter	1	40	730223	Barrel Assy.	1	28		Alignment Shim	2
10	729597	Locking Ring	1	41	730222	Retainer Clip	1	30		Pin	2
29	729608	Rear Valve Block	1	50	730224C	Chisel	1	31		Valve	1
32	729606	Front Valve Block	1					39		Retainer Buffer	1

FOOTNOTES

EAGLE GROUP
A Division of AIMCO

10000 SE PINE
PORTLAND, OR 97216
503-254-6600
FAX 503-255-2615

When ordering spare parts, please specify tool type, part number, and description