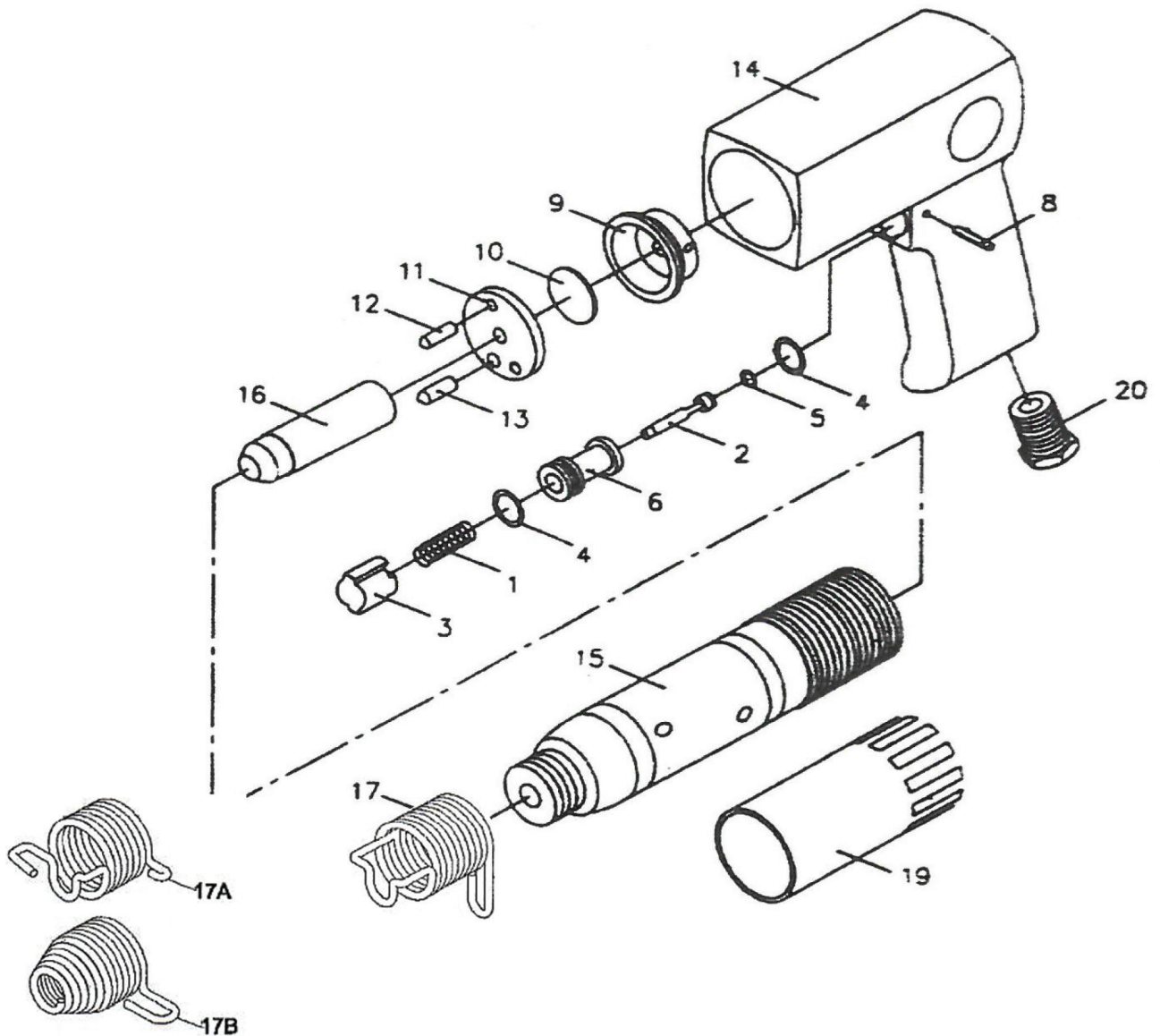


4178 AIR HAMMER

EXPLODED VIEW



PARTS LIST — FOR REFERENCE ONLY

Index Number	Part Number	Description	Qty.	Index Number	Part Number	Description	Qty.
1	711-01	Spring - Valve	1	13	711-13	Dowel - Valve Case (S)	1
2	711-02	Throttle Valve	1	14	711-14	Handle	1
3	711-03	Button - Throttle	1	15	715-15	Cylinder (171 mm) (R)	1
4	711-04	O-Ring P12	2		715-15-1	Cylinder (252 mm) (H)	1
5	711-05	O-Ring P4	1	16	715-16	Piston (L)	1
6	711-06	Button Valve	1	17	711-17	Retainer Zip Change	1
8	711-08	Pin Grooved	1	Optional	711-17A	Retainer Spring (QC)	1
9	711-09	Lid - Valve Case	1	Optional	711-17B	Retainer Bee Hive Type	1
10	711-10	Disk Valve	1	19	715-19	Deflector	1
11	711-11	Case - Valve	1	20	711-20	Air Inlet Bushing	1
12	711-12	Dowel - Valve Case (L)	1				

EAGLE
GROUP
A Division of AIMCO

10000 SE PINE
PORTLAND, OR 97216
503-254-6600
FAX 503-255-2615

When ordering spare parts, please specify
tool type, part number, and description

FOOTNOTES