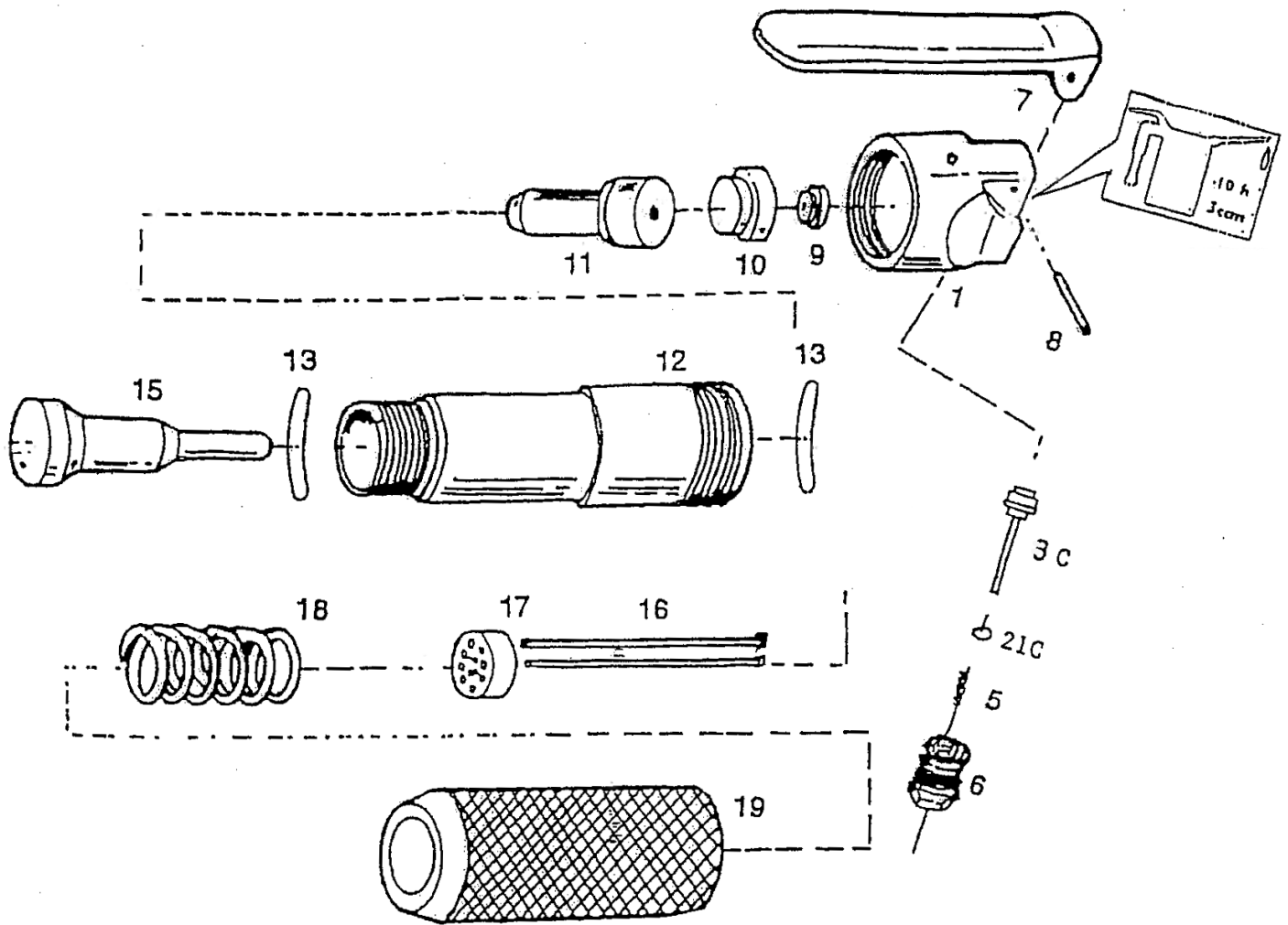


# 4615 NEEDLE SCALER

## EXPLODED VIEW



### PARTS LIST — FOR REFERENCE ONLY

Index Number	Part Number	Description	Qty.	Index Number	Part Number	Description	Qty.	Index Number	Part Number	Description	Qty.
1	RC5615C-01	Back Head	1	6	RC5615C-06	Valve Cap Set	1	14	RC5615C-14	Needle Driver	1
	RC5615C-TK	Tune-Up Kit (Parts available in kit only)	1	7	RC5615C-07	Lever	1	15	RC5615C-15	Chisel	1
3C		Throttle Valve Set	1	8	RC5615C-08	Pin	1	16	9024	Needle	12
5		Spring	1	9	RC5615C-09	Rubber Cushion	1	17	RC5615C-17	Needle Holder	1
13		O-Ring	1	10	RC5615C-10	Rear Valve Block	1	18	RC5615C-18	Spring	1
21C		O-Ring	1	11	RC5615C-11	Piston	1	19	RC5615C-19	Needle Tube	1
				12	RC5615C-12	Cylinder	1				

### FOOTNOTES

**EAGLE GROUP**  
A Division of AIMCO

10000 SE PINE  
PORTLAND, OR 97216  
503-254-6600  
FAX 503-255-2615

When ordering spare parts, please specify tool type, part number, and description

REVISED 09/18