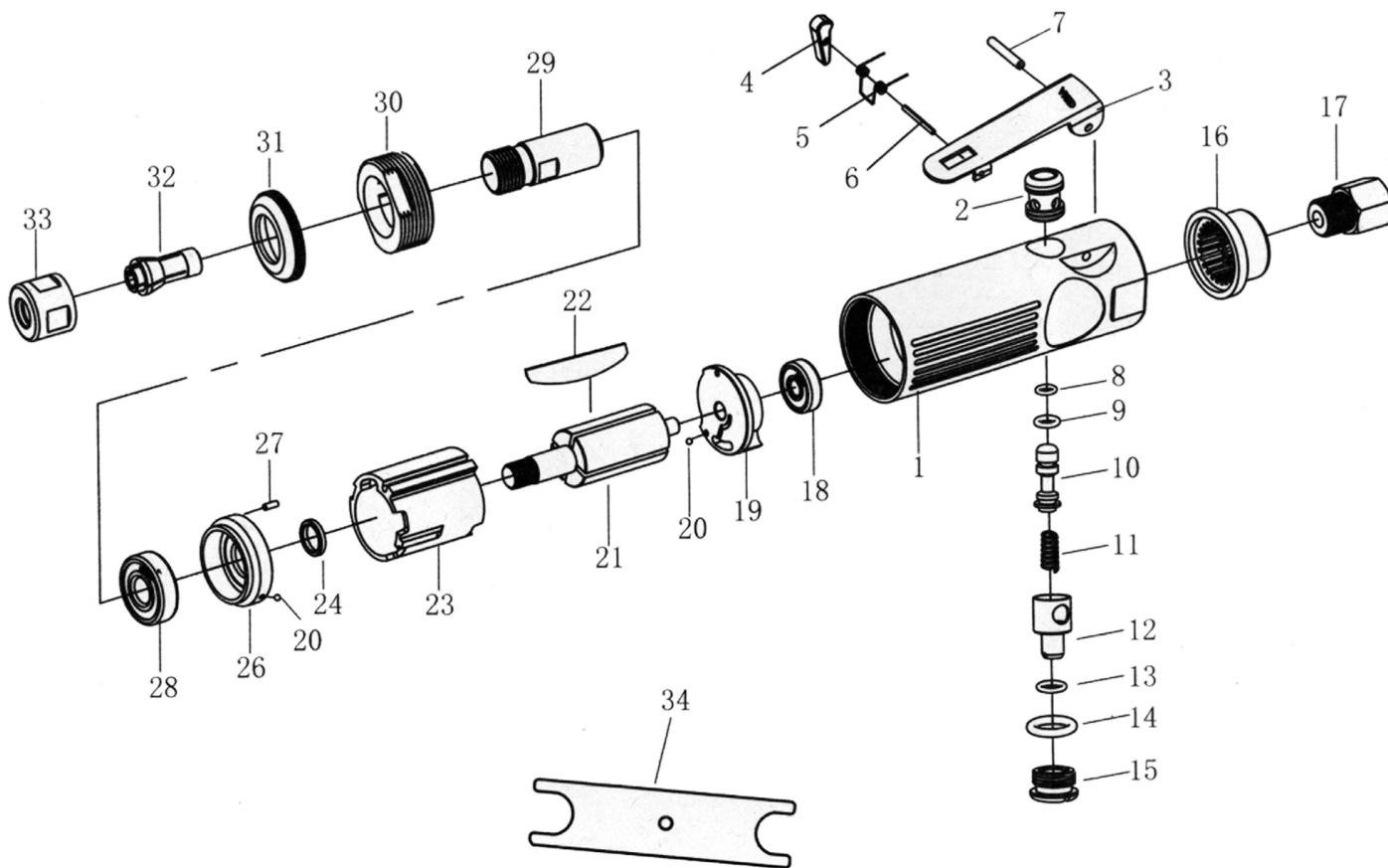


# 5002C DIE GRINDER

## EXPLODED VIEW



## PARTS LIST — FOR REFERENCE ONLY

Index Number	Part Number	Description	Qty.	Index Number	Part Number	Description	Qty.	Index Number	Part Number	Description	Qty.
1	5002C-01	Housing	1	10	5002C-10	Valve Stem	1	23	5002C-23	Cylinder	1
2	5002C-02	Valve Bushing	1	12	5002C-12	Air Regulator	1	24	5002C-24	Rotor Spacer	1
3	5002C-03	Trigger	1	15	5002C-15	Nut	1	26	5002C-26	Front Plate	1
4	5002C-04	Lever	1	16	5002C-16	Muffle Cover	1	27	5002C-27	Set Pin	1
5	5002C-05	Spring	1	17	5002C-17	Air Inlet	1	29	5002C-29	Collet Holder	1
6	5002C-06	Pin	1		5002C-RK	Parts available in kit only		30	5002C-30	Retainer	1
7	5002C-07	Trigger Pin	1	18		Bearing #626ZZ	1	31	5002C-31	Housing Cap	1
	5002C-TK	Parts available in kit only		22		Rotor Blade	4	32	5002C-32	1/4" Collet*	1
8		O-Ring	1	28		Bearing #600ZZ	1	33	5002C-33	Collet Nut	1
9		O-Ring	1					34	5002C-34	Wrench	2
11		Spring	1	19	5002C-19	End Plate	1				
13		O-Ring	1	20	5002C-20	Steel Ball	2				
14		O-Ring	1	21	5002C-21	Rotor	1				

### FOOTNOTES

\* Optional 1/8" Collet, Part #32046-31-02

**EAGLE GROUP**  
A Division of AIMCO

10000 SE PINE  
PORTLAND, OR 97216  
503-254-6600  
FAX 503-255-2615

When ordering spare parts, please specify  
tool type, part number, and description