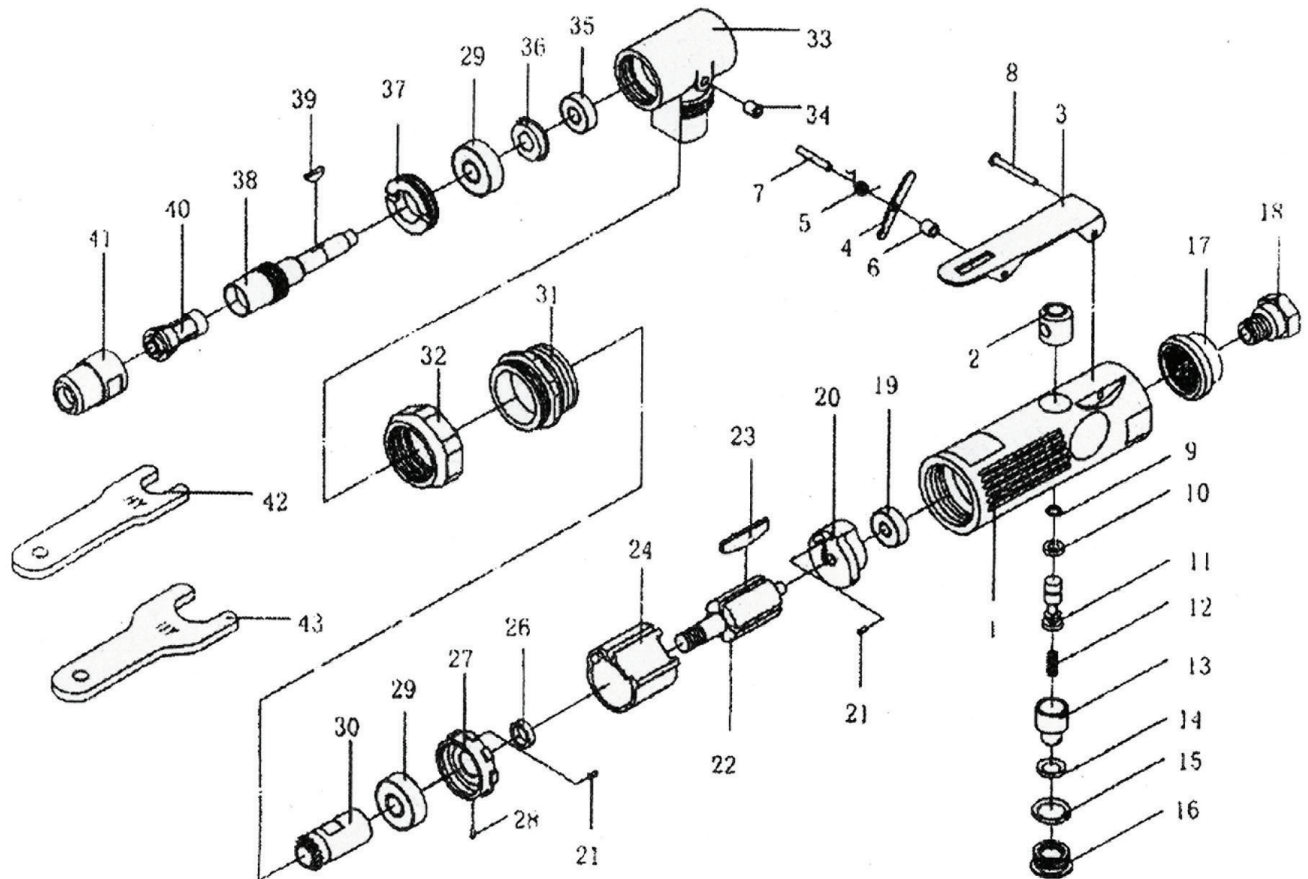


5003C ANGLE DIE GRINDER

EXPLODED VIEW



PARTS LIST — FOR REFERENCE ONLY

Index Number	Part Number	Description	Qty.	Index Number	Part Number	Description	Qty.	Index Number	Part Number	Description	Qty.	
1	5003C-01	Housing	1		5003C-RK	Parts available in kit only		38	5003C-38	Work Spindle	1	
2	5003C-02	Valve Bushing	1	19		Bearing	1	39	5003C-39	Key	1	
3	5003C-03	Trigger	1	23		Rotor Blade	4	40	5003C-40	Collet	1	
4	5003C-04	Lever	1	29		Bearing 608ZZ	2	41	5003C-41	Collet Nut	1	
5	5003C-05	Spring	1		20	5003C-20	End Plate	1	42	5003C-42	Wrench	1
6	5003C-06	Bushing	1		21	5003C-21	Ball	2	43	5003C-43	Wrench	1
7	5003C-07	Pin	1		22	5003C-22	Rotor	1				
8	5003C-08	Trigger Pin	1		24	5003C-24	Cylinder	1				
	5003C-TK	Parts available in kit only			26	5003C-26	Rotor Spacer	1				
9		O-Ring	1		27	5003C-27	Front Plate	1				
10		O-Ring	1		28	5003C-28	Ball	2				
12		Spring	1		30	5003C-30	Gear	1				
14		O-Ring	1		31	5003C-31	Retainer	1				
15		O-Ring	1		32	5003C-32	Hex Nut	1				
11	5003C-11	Valve Stem	1		33	5003C-33	Angle Head	1				
13	5003C-13	Air Regulator	1		34	5003C-34	Grease Cap	1				
16	5003C-16	Valve Plug	1		35	982-033-0	Bearing 696ZZ	1				
17	5003C-17	Muffle Cover	1		36	5003C-36	Gear	1				
18	5003C-18	Air Inlet	1		37	5003C-37	Lock Nut	1				

FOOTNOTES

EAGLE GROUP
A Division of AIMCO

10000 SE PINE
PORTLAND, OR 97216
503-254-6600
FAX 503-255-2615

When ordering spare parts, please specify
tool type, part number, and description

REVISED 07/17