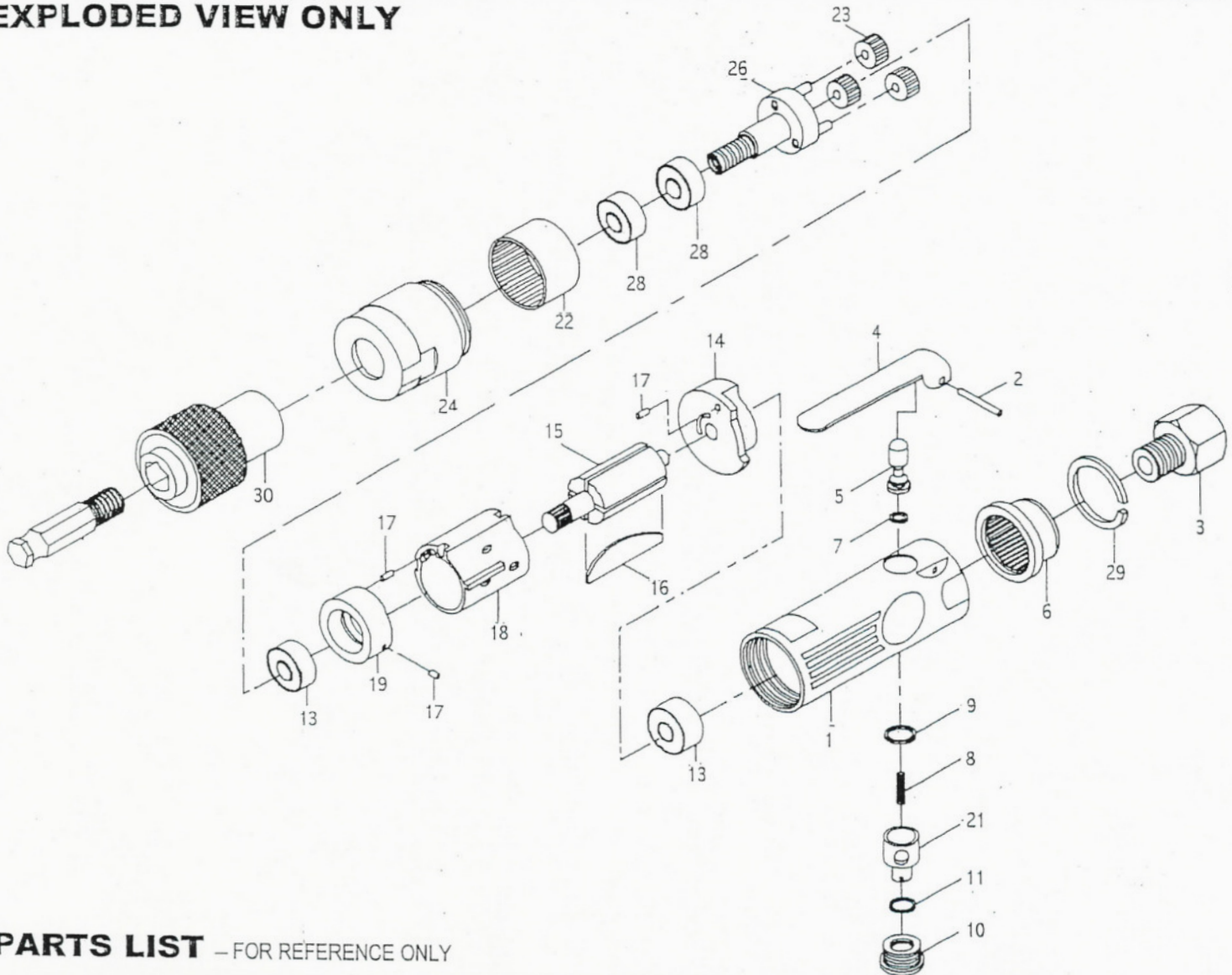


5114 TIRE BUFFER

EXPLODED VIEW ONLY



PARTS LIST – FOR REFERENCE ONLY

| Index Number | Part Number | Description | Qty. |
|--------------|-------------|-------------------|------|
| 1 | 51201 | MOTOR HOUSING | 1 |
| 2 | 30102 | LEVER PIN | 1 |
| 3 | 50103 | AIR INLET | 1 |
| 4 | 51204 | THROTTLE LEVER | 1 |
| 5 | 20305 | VALVE STEM | 1 |
| 6 | 51206 | EXHAUST DEFLECTOR | 1 |
| 7 | 40122 | O RING | 1* |
| 8 | 51208 | VALVE SPRING | 1* |
| 9 | 51209 | O RING | 1* |

| Index Number | Part Number | Description | Qty. |
|--------------|-------------|---------------------|------|
| 10 | 20310 | THROTTLE VALVE PLUG | 1 |
| 11 | 40134 | O RING | 1* |
| 13 | BR626ZZ | BALL BEARING | 2 |
| 14 | 51214 | REAR END PLATE | 1 |
| 15 | 40615 | ROTOR | 1 |
| 16 | 70116 | ROTOR BLADES | 4* |
| 17 | 40117 | PIN | 3 |
| 18 | 70118 | CYLINDER | 1 |
| 19 | 70619 | FRONT END PLATE | 1 |

| Index Number | Part Number | Description | Qty. |
|--------------|-------------|---------------|------|
| 21 | 20321 | AIR REGULATOR | 1 |
| 22 | 71022 | INTERNAL GEAR | 1 |
| 23 | 80223 | PLANET GEAR | 3 |
| 24 | 71024 | FRONT HOUSING | 1 |
| 25 | 80224 | PIN | 3 |
| 26 | 70626 | PLANET CAGE | 1 |
| 27 | 70133 | CHUCK SPACER | 1 |
| 28 | BR6201Z | BALL BEARING | 2 |
| 29 | 51243 | RETAINER RING | 1 |
| 30 | MQC-2-24 | QUICK COUPLER | 1 |

TECHNICAL DATA

| | Max Air Pressure | Recommended Air Hose Size | Free Speed | Max Air Flow (CFM) | Weight (lbs.) |
|------|------------------|---------------------------|------------|--------------------|---------------|
| 6004 | 90 psi | 3/8 | 2,400 | 4 | 2.5 |

EAGLE

10000 SE Pine Street
Portland, OR 97216
503-254-6600
FAX 503-255-2615

When ordering spare parts, please specify tool type, part number and description.

FOOTNOTES

* Parts Available in Repair Kit 6004-RK*

REVISED 09/00