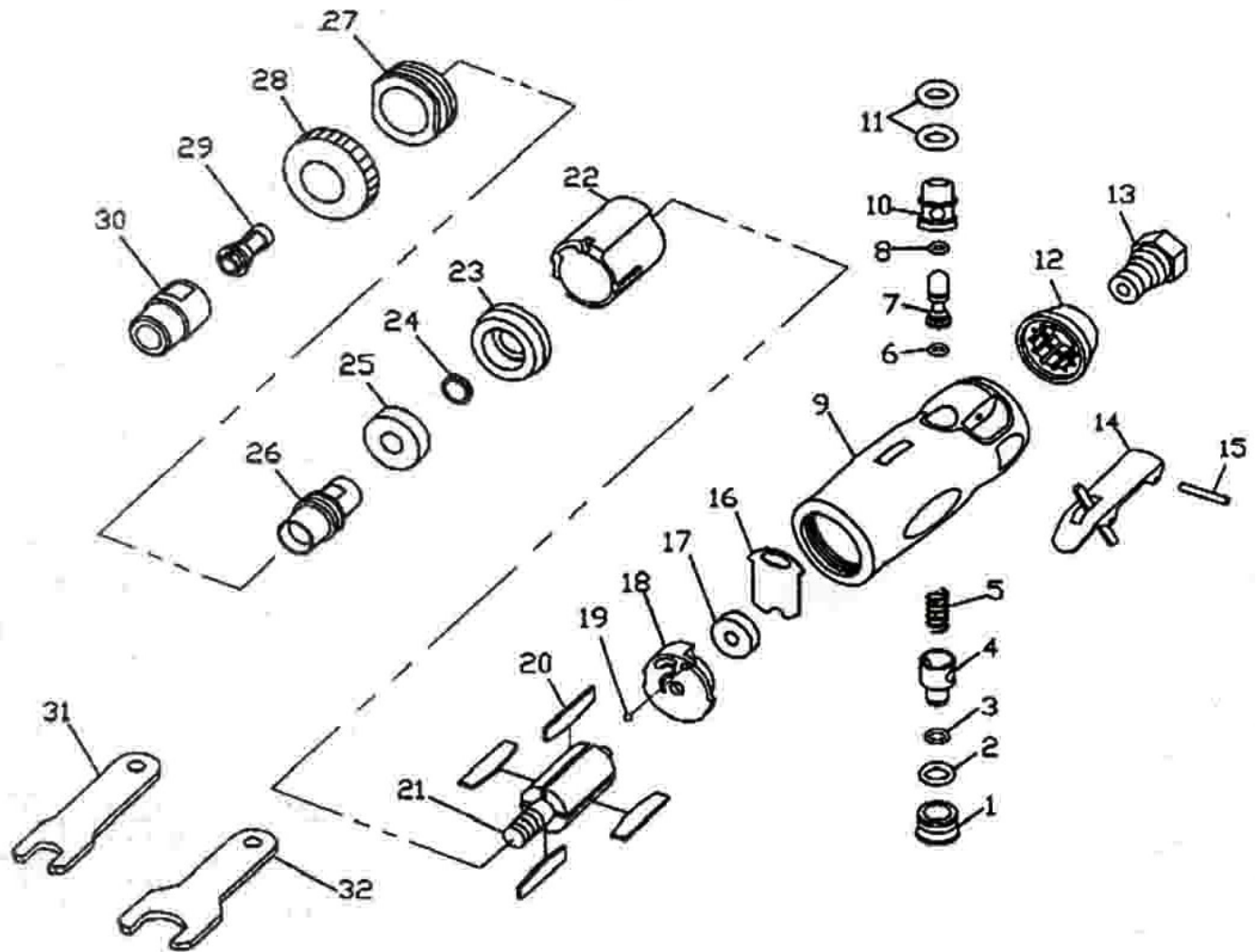


# 5201EC 1/4" MINI DIE GRINDER

## EXPLODED VIEW



## PARTS LIST — FOR REFERENCE ONLY

Index Number	Part Number	Description	Qty.	Index Number	Part Number	Description	Qty.	Index Number	Part Number	Description	Qty.
1	3001001	Plug Screw	1	12	3001012	Muffler	1	22	3001022	Cylinder	1
	5201-TK	Parts available in kit only	1	13	3001013	Air Inlet	1	23	3001023	Bearing Plate	1
2		O-Ring	1	14	3001014	Lever	1	24	3001024	Rotor Collar	1
3		O-Ring	1	15	3001015	Lever Pin	1	26	3001026	Spindle	1
5		Valve Spring	1	16	3001016	Steel Plate	1	27	3001027	Lock Ring	1
6		O-Ring	1		5201EC-RK	Parts available in kit only	1	28	3001028	Housing Cap	1
8		O-Ring	1	17		Bearing 696ZZ	1	29	3001029	Collect	1
11		O-Ring	2	20		Rotor Blade	4	30	3001030	Collect Nut	1
4	3001004	Air Regulator	1	25		Bearing 608ZZ	1	31	3001031	Wrench (11 mm)	1
7	3001007	Valve Stem	1	18	3001018	Bearing Plate	1	32	3001032	Wrench (17 mm)	1
9	3001009	Motor Housing	1	19	3001019	Ball	1				
10	3001010	Valve Bushing	1	21	3001021	Rotor	1				

## FOOTNOTES

**EAGLE GROUP**  
A Division of AIMCO

10000 SE PINE  
PORTLAND, OR 97216  
503-254-6600  
FAX 503-255-2615

When ordering spare parts, please specify tool type, part number, and description

REVISED 08/17