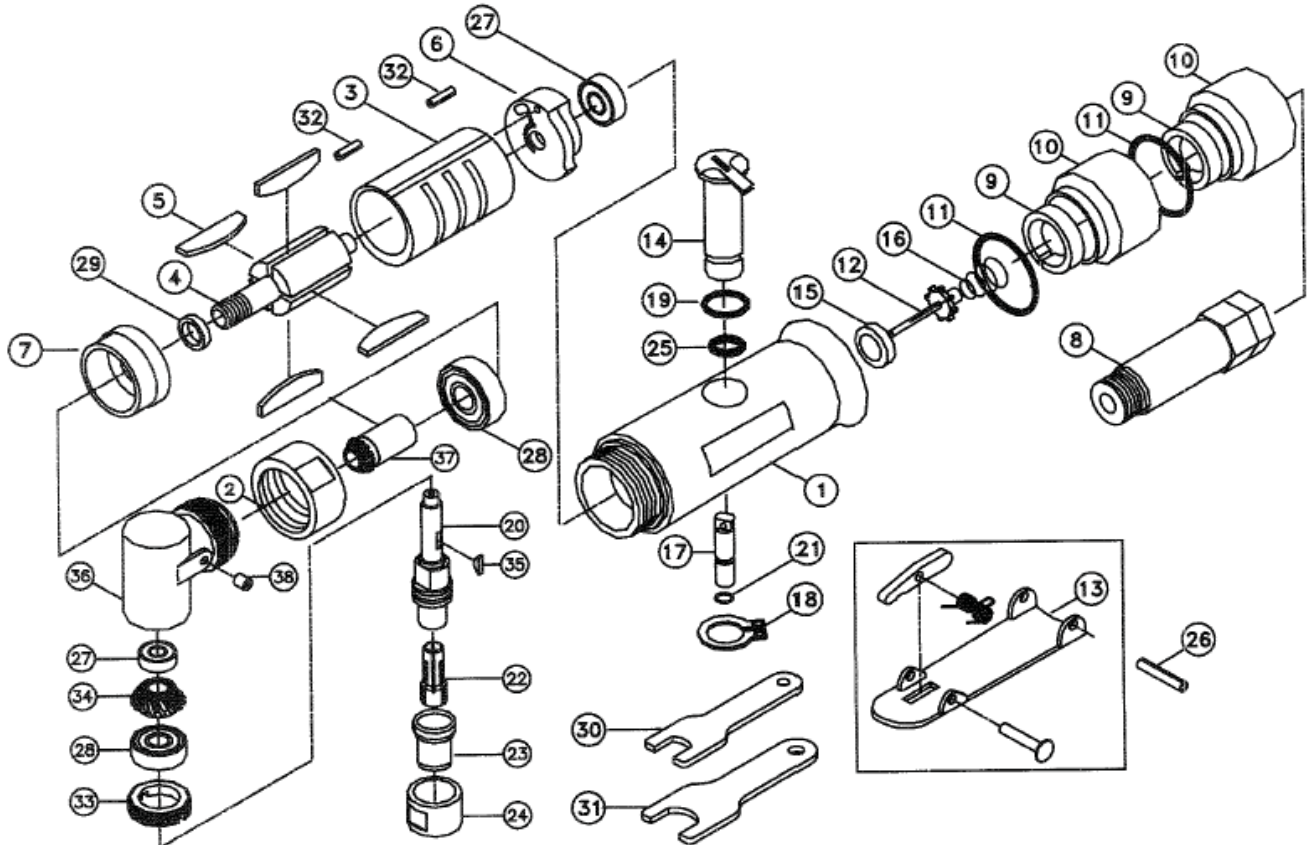


5A-04122 ANGLE DIE GRINDER

EXPLODED VIEW



PARTS LIST — FOR REFERENCE ONLY

Index Number	Part Number	Description	Qty.	Index Number	Part Number	Description	Qty.	Index Number	Part Number	Description	Qty.
1	10501	Motor Housing	1	15	07908	Seal	1	26	891127	Pin	1
2	10503	Housing Lock Ring	1	16	07909	Spring	1	27	982-045-0	Ball Bearing	2
3	10504	Cylinder	1	17	07910	Valve Stem	1	28	982-033-0	Ball Bearing	2
4	10505	Rotor	1	18	07912	Retaining Ring	1	29	96130	Spacer	1
5	10506	Blade	4	19	07915	O-Ring	1	30	96133	Spanner Wrench (11 mm)	1
6	10507	Rear End Plate	1	20	07918AA	Spindle	1	31	96134	Spanner Wrench (17 mm)	1
7	10508	Front Bearing Plate	1	21	00724S	O-Ring P2.6 x 1	1	32	96135	Pin	2
8	10509AR	Inlet	1	22	00830-1/4	Collet 1/4"	1	33	96202	Clamp Nut	1
9	10510	Felt Muffer	2	22	00830-1/8	Collet 1/8"	1	34	96203SS	Bevel Gear	1
10	07902	Muffer Cap	2	22	00830-6.0	Collet 6.0	1	35	96204	Key	1
11	07903	O-Ring	2	22	00830-3.0	Collet 3.0	1	36	96205	Angle Head Housing	1
12	07904	Tip Valve	1	23	00830C1	Collet Bushing	1	37	96206SS	Pinion	1
13	07905	Safety Lever Assembly	1	24	00831C2	Collet Nut	1	38	96208	Grease Fitting	1
14	07907	Speed Regulator	1	25	83712	O-Ring P8	1				