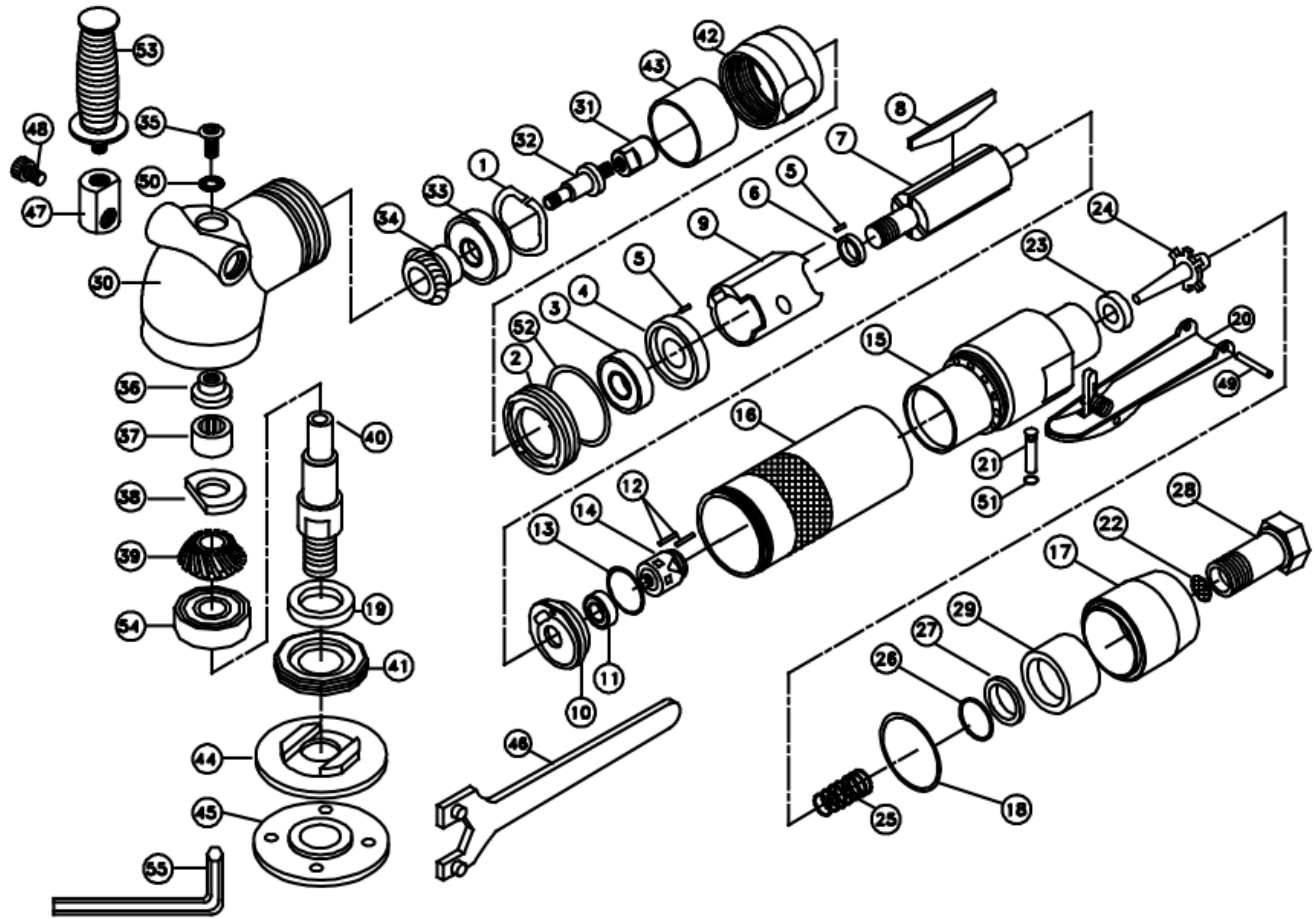


# 5G-10125 BACK GOUGING PNEUMATIC SAW

## EXPLODED VIEW



### PARTS LIST — FOR REFERENCE ONLY

| Index Number | Part Number | Description         | Qty. | Index Number | Part Number | Description           | Qty. | Index Number | Part Number  | Description           | Qty. |
|--------------|-------------|---------------------|------|--------------|-------------|-----------------------|------|--------------|--------------|-----------------------|------|
| 1            | 12811       | Wave Spring         | 1    | 20           | 12828       | Safety Lever Assembly | 1    | 39           | 128A10       | Bevel Gear            | 1    |
| 2            | 12812       | Adapter             | 1    | 21           | 12829       | Valve Stem            | 1    | 40           | 128AG11-5/8" | Spindle               | 1    |
| 3            | 982-200-0   | Bearing (6200)      | 1    | 22           | 12830       | Screens               | 1    | 41           | 128A12       | Retainer              | 1    |
| 4            | 12815       | Front Bearing Plate | 1    | 23           | 12831       | Valve Seat            | 1    | 42           | 128A13       | Lock Ring             | 1    |
| 5            | 12816       | Pin 2 x 6           | 2    | 24           | 12832       | Tip Valve             | 1    | 43           | 128A14       | Spacer                | 1    |
| 6            | 12817       | Spacer              | 1    | 25           | 12833       | Spring                | 1    | 44           | 128A16B      | Rear Flange           | 1    |
| 7            | 12818       | Rotor               | 1    | 26           | 12834       | O-Ring (S20)          | 1    | 45           | 128A17B      | Front Flange          | 1    |
| 8            | 12819       | Blade               | 4    | 27           | 12835       | Spacer                | 1    | 46           | 128A18       | Flange Nut Wrench     | 1    |
| 9            | 12820       | Cylinder            | 1    | 28           | 12836       | Inlet                 | 1    | 47           | 128A19A      | Adapter               | 1    |
| 10           | 12821       | Rear Bearing Plate  | 1    | 29           | 12837       | Felt                  | 1    | 48           | 128A19B      | Screw M10 x 1.5 x 25L | 1    |
| 11           | 982-013-0   | Bearing (606ZZ)     | 1    | 30           | 128A01      | Angle Housing         | 1    | 49           | 96108        | Roll Pin 3 x 25L      | 1    |
| 12           | 12823       | Pin 2.5 x 14        | 2    | 31           | 128A02      | Coupling Insert       | 1    | 50           | 83725        | P5 O-Ring             | 1    |
| 13           | 12824       | Gasket              | 1    | 32           | 128A03      | Adapter               | 1    | 51           | 891114       | O-Ring (2.9 x 1)      | 1    |
| 14           | 1282SK17.5  | Governor Assembly   | 1    | 33           | BB6300      | Bearing (6300)        | 1    | 52           | 08113        | O-Ring (AS027)        | 1    |
| 15           | 12826-A     | Throttle Housing    | 1    | 34           | 128A05      | Pinion                | 1    | 53           | 41114        | Side Handle           | 1    |
| 16           | 12826-B     | Housing             | 1    | 35           | 128A06      | Screw                 | 1    | 54           | 982-203-0    | Bearing (6203)        | 1    |
| 17           | 12826AL-C   | Rear Silencer       | 1    | 36           | 128A07      | Gear Oil Plate        | 1    | 55           | 89818        | Hex Wrench 1/4"       | 1    |
| 18           | 12826-E     | O-Ring (AS028)      | 1    | 37           | HK1212      | Bearing (HK1212)      | 1    |              |              |                       |      |
| 19           | 12827       | Felt                | 1    | 38           | 128A09      | Wick                  | 1    |              |              |                       |      |

### FOOTNOTES



10000 SE PINE  
PORTLAND, OR 97216  
503-254-6600  
FAX 503-255-2615

When ordering spare parts, please specify tool type, part number, and description