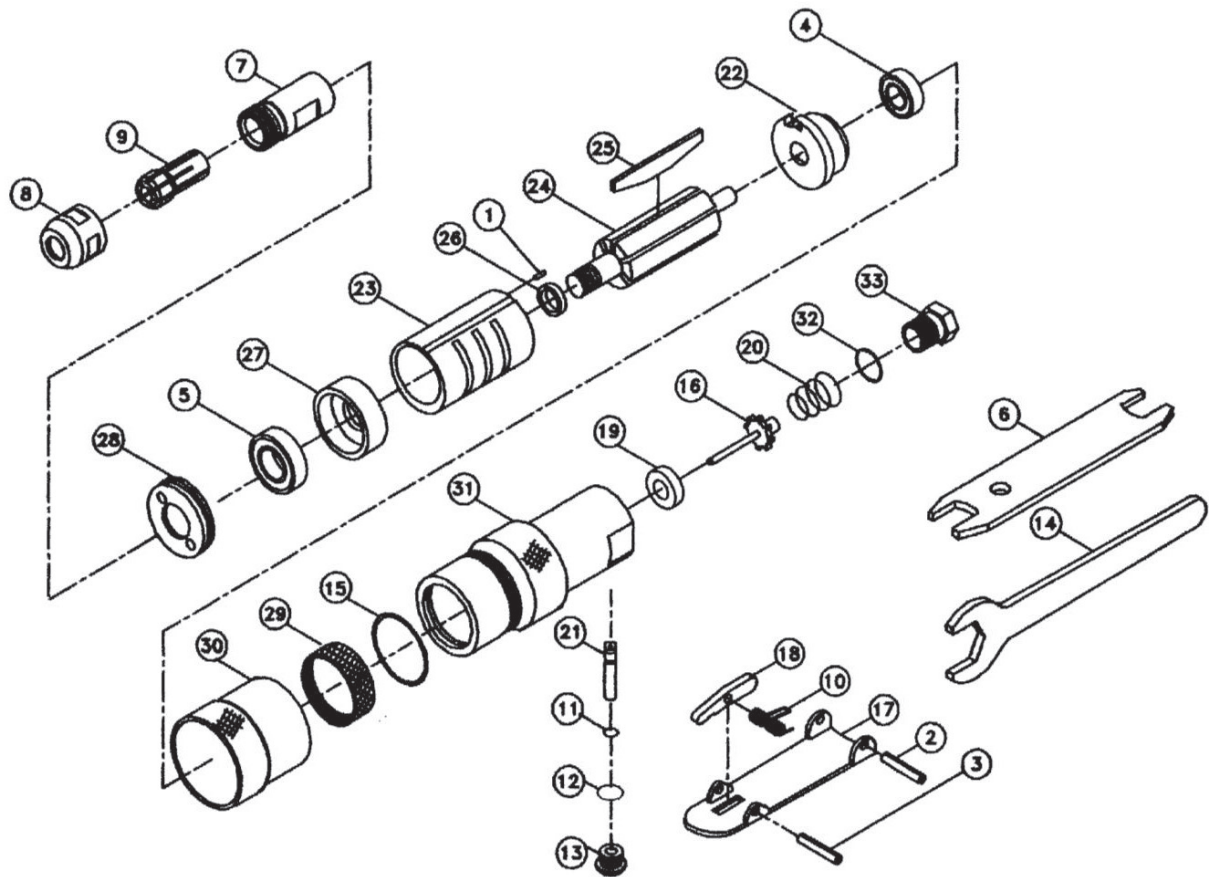


51-06251 1/4" DIE GRINDER

EXPLODED VIEW



PARTS LIST — FOR REFERENCE ONLY

Index Number	Part Number	Description	Qty.	Index Number	Part Number	Description	Qty.	Index Number	Part Number	Description	Qty.
1	91505	Pin	1	13	00728S	Throttle Plug Screw	1	25	08104	Rotor Blade	4
2	891127	Lever Pin	1	14	41239	Spanner Wrench (19 mm)	1	26	08105	Rotor Spacer	1
3	96110	Pin	1	15	08113	O-Ring AS-027	1	27	08106	Front Plate	1
4	982-045-0	Ball Bearing 608	1	16	07904	Tip Valve	1	28	08107	Front Bearing Retainer	1
5	982-170-0	Ball Bearing 6000	1	17	07905	Throttle Lever	1	29	08108	Muffler	1
6	98312	Spanner Wrench (14 mm)	1	18	07906	Stop Rod	1	30	08109	Deflector	1
7	00712S	Chuck	1	19	07908	Valve Packing	1	31	08110	Motor Housing	1
8	00713S	Cap Nut	1	20	07909	Spring	1	32	08111	O-Ring AS-016	1
9	00716S	Collet	1	21	07910A	Valve Stem	1	33	08112	Air Inlet	1
10	00722S-C	Spring	1	22	08101	Rear Plate	1				
11	00724S	O-Ring P2.6 x 1	1	23	08102	Cylinder	1				
12	00727S	O-Ring S011	1	24	08103	Rotor	1				

FOOTNOTES

EAGLE GROUP
A Division of AIMCO

10000 SE PINE
PORTLAND, OR 97216
503-254-6600
FAX 503-255-2615

When ordering spare parts, please specify
tool type, part number, and description