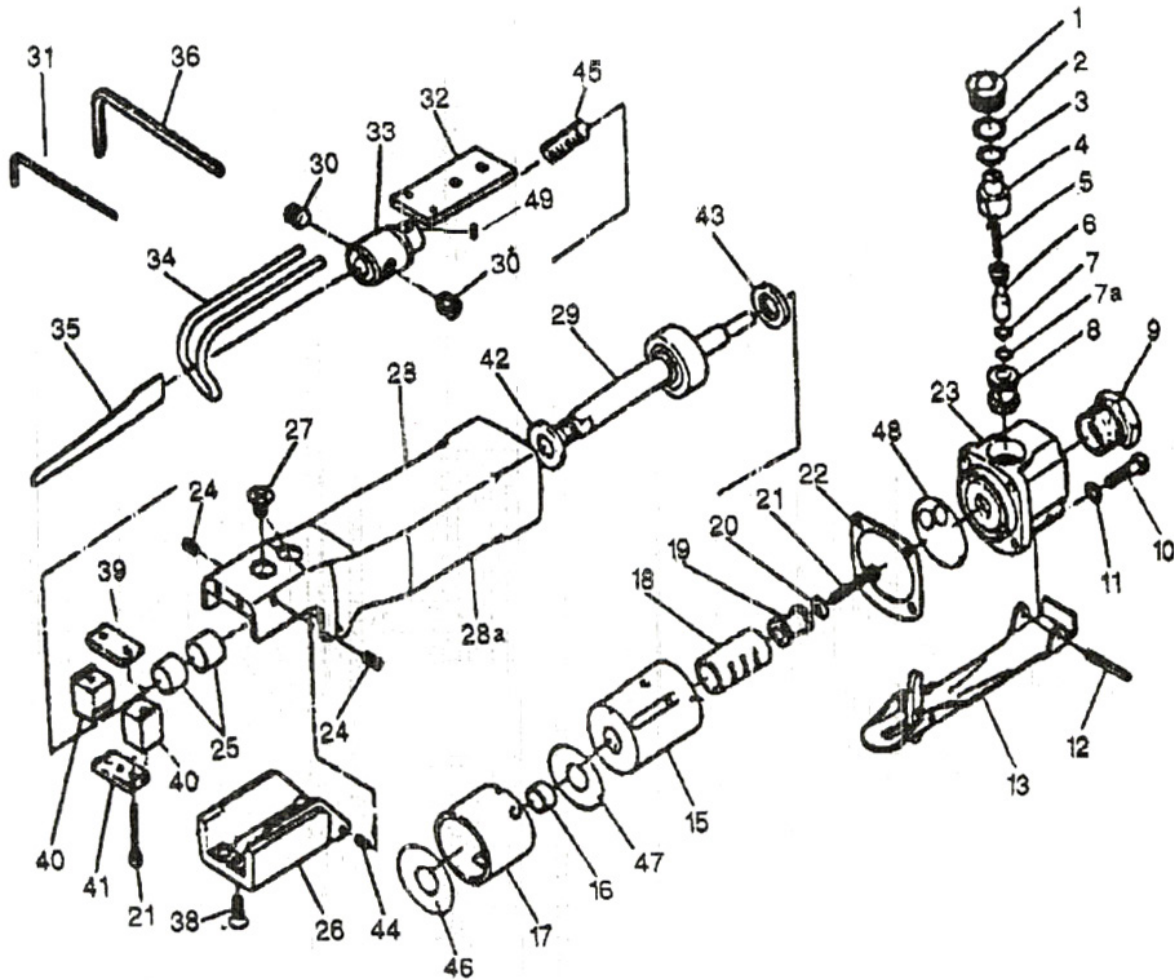


6050 AIR RECIPROCATING SAW

EXPLODED VIEW



PARTS LIST — FOR REFERENCE ONLY

Index Number	Part Number	Description	Qty.	Index Number	Part Number	Description	Qty.	Index Number	Part Number	Description	Qty.
1	RC6050B-01	Valve Screw	1	10	RC6050B-10	Cap Screw	1	30	RC6050B-30	Set Screw	1
	RC6050B-TK	Tune-Up Kit (Parts available in kit only)	1	11	RC6050B-11	Washer	1	31	RC6050B-31	Service Wrench (2 mm)	1
2		O-Ring	1	12	RC6050B-12	Lever Pin	1	32	RC6050B-32	Guide Plate	1
3		O-Ring	1	13	RC6050B-13	Throttle lever	1	33	RC6050B-33	Blade Chuck	1
5		Valve Spring	1	15	RC6050B-15	Valve Case	1	34a	RC6050B-34-1	Work Guide (long)	1
7		O-Ring	1	16	RC6050B-16	Bushing	1	34b	RC6050B-34-2	Work Guide (short)	1
22		Gasket	1	17	RC6050B-17	Cylinder	1	35	RC6050B-35A	Blade-24T	1
42		Front Bumper	1	18	RC6050B-18	Valve Sleeve	1	35A	RC6050B-35B	Blade -32T	1
43		Rear Bumper	1	19	RC6050B-19	Actuate Valve	1	36	RC6050B-36	Service Wrench (4 mm)	1
46		Packing	1	20	RC6050B-20	Washer	1	38	RC6050B-38	Screw	1
47		Packing	1	21	RC6050B-21	Cap Screw	1	39	RC6050B-39	Upper Wear Shoe	1
48		Packing	1	23	RC6050B-23	Valve Block (incl.#08)	1	40	RC6050B-40	Blade Guide	1
4	RC6050B-04	Air Controller	1	24	RC6050B-24	Set Screw	1	41	RC6050B-41	Bridge	1
6	RC6050B-06	Valve Stem	1	25	RC6050B-25	Bushing	1	44	RC6050B-44	Roll Pin	1
8	RC6050B-08	Valve Bushing	1	26	RC6050B-26	Chuck Cover	1	45	RC6050B-45	Spring	1
9	RC6050B-09	Inlet Bushing	1	27	RC6050B-27	Screw	1	49	RC6050B-49	Set Screw	1
				28	RC6050B-28	Housing	1				
				28a	RC6050B-28A	Platic Wrap	1				
				29	RC6050B-29TK	Piston Ass'y (incl. #42, 43)	1				

FOOTNOTES

EAGLE GROUP
A Division of AIMCO

10000 SE PINE
PORTLAND, OR 97216
503-254-6600
FAX 503-255-2615

When ordering spare parts, please specify tool type, part number, and description