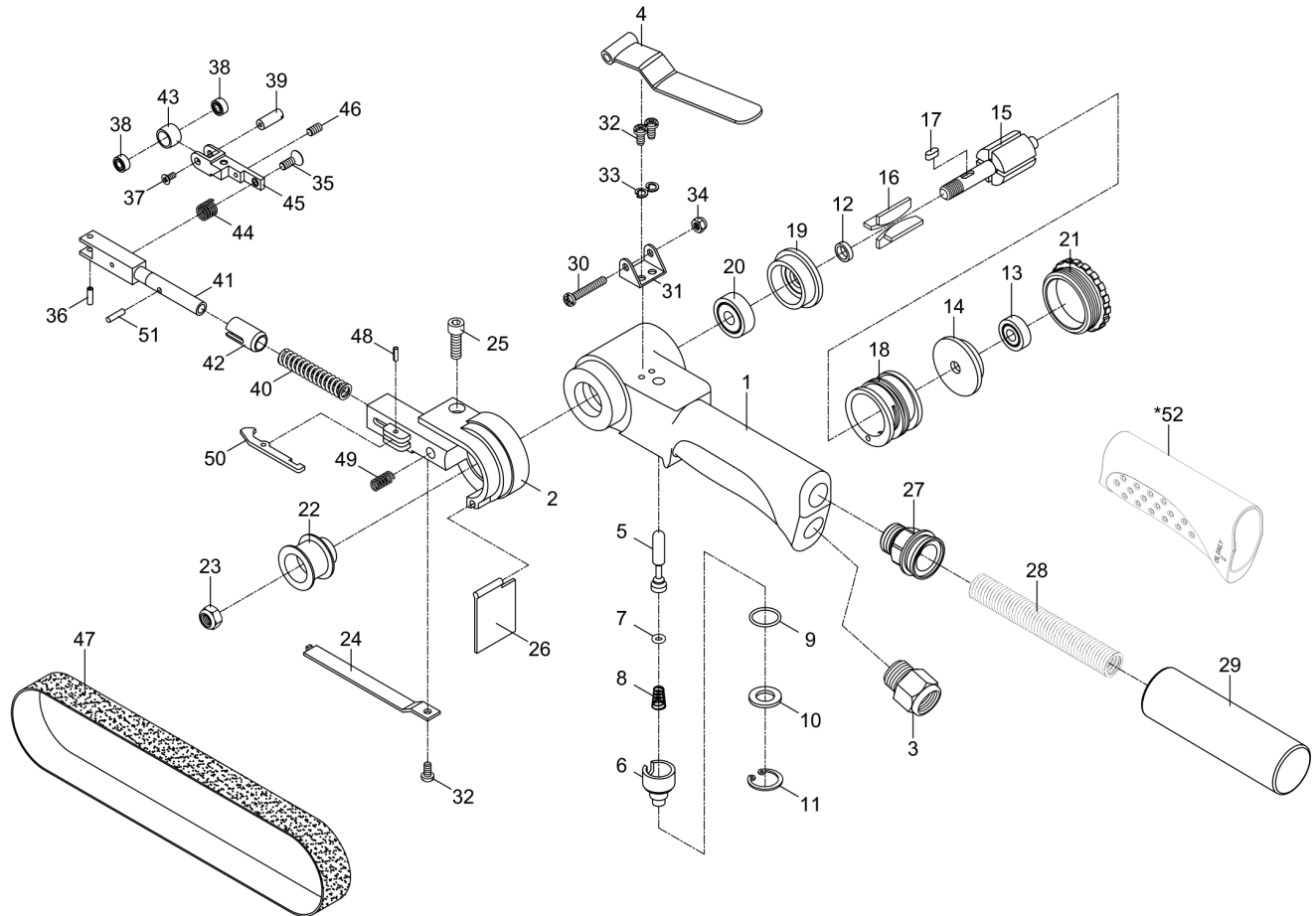


6114 MINI BELT SANDER

EXPLODED VIEW



PARTS LIST — FOR REFERENCE ONLY

Index Number	Part Number	Description	Qty.	Index Number	Part Number	Description	Qty.	Index Number	Part Number	Description	Qty.
1	61001	Housing	1	21	61021	Cap	1	41	61041	Tension Bar	1
2	61002	Guard Body	1	22	61222	Drive Pulley	1	42	61042	Bushing	1
3	62003	Air Inlet	1	23	63042	Hexagon Nut (M6 x 1)	1	43	61043	Idle Pulley	1
4	62004	Lever	1	24	61024	Shoe	1	44	61044	Spring	1
5	62005	Valve Stem	1	25	40343	Screw	1	45	61045	Bracket	1
6	62006	Adjust Valve	1	26	61026	Dust Cover	1	46	61046	Screw (M3 x 6L)	1
7	30107	O-Ring (3.9 x 1.9)	1	27	62027	Nipple	1	47	61060	Grinding Belt	1
8	62008	Spring	1	28	62028	Spring	1	48	61048	Spring Pin (2.5 x 8L)	1
9	62009	O-Ring (14.5 x 1.5)	1	29	62029	Silencer	1	49	61049	Spring	1
10	62010	Spacer	1	30	62030	Screw (M4 x 25L)	1	50	61050	Safety Lever	1
11	62011	Retaining Ring (RTW-18)	1	31	62031	Lever Support	1	51	61249	Lock Pin (3 x 11.8L)	1
12	61012	Spacer	1	32	62032	Screw (M4 x 8L)	3	*52	6T-620053	Grip	1
13	982-066-0	Ball Bearing (607ZZ)	1	33	40147	Spring Washer (M4)	2				
14	61014	Rear End Plate	1	34	62034	Nut (M4)	1				
15	61015	Rotor	1	35	61035	Screw (M3 x 8L)	1				
16	61016	Rotor Blade	4	36	61036	Spring Pin (3 x 10L)	1				
17	61017	Key	1	37	61037	Screw (M2 x 5L)	1				
18	61018	Cylinder	1	38	61038	Ball Bearing (6842RS)	2				
19	61019	Front End Plate	1	39	61039	Idle Pulley Shaft	1				
20	982-053-0	Ball Bearing (628ZZ)	1	40	61040	Spring	1				

FOOTNOTES

EAGLE GROUP
A Division of AIMCO

10000 SE PINE
PORTLAND, OR 97216
503-254-6600
FAX 503-255-2615

When ordering spare parts, please specify
tool type, part number, and description