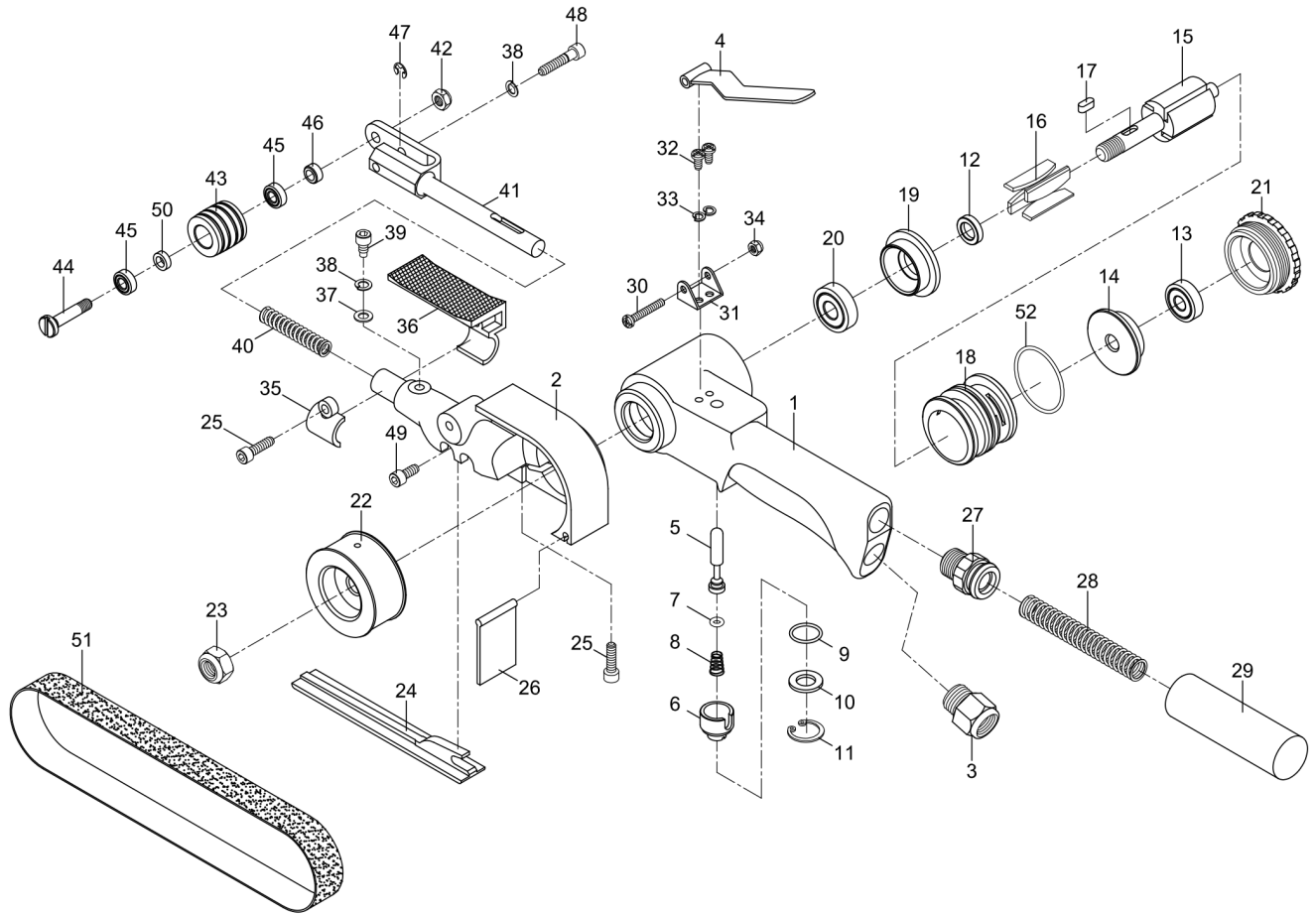


6116 3/4" x 20 1/2" MINI BELT SANDER

EXPLODED VIEW



PARTS LIST — FOR REFERENCE ONLY

Index Number	Part Number	Description	Qty.	Index Number	Part Number	Description	Qty.	Index Number	Part Number	Description	Qty.
1	62001	Housing	1	17	62017	Key (4 x 4 x 10)	1	38	40344	Spring Washer (M5)	1
2	62002	Guard Body	1	18	62018	Cylinder	1	39	62039	Screw	1
3	62003	Air Inlet	1	19	62019	Front End Plate	1	40	62040	Spring	1
4	62004	Lever	1	20	982-170-0	Ball Bearing (6000ZZ)	1	41	62041	Arm	1
5	62005	Valve Stem	1	21	62021	Cap	1	42	63042	Nut (M6)	1
6	62006	Adjust Valve	1	22	62022	Drive Pulley	1	43	62043	Idle Pulley	1
7	30107	O-Ring (3.9 x 1.9)	1	23	62023	Nut (M10)	1	44	62044	Shaft	1
8	62008	Spring	1	24	62024	Flat Shoe	1	45	62045	Ball Bearing (686ZZ)	2
9	62009	O-Ring (14.5 x 1.5)	1	25	62025	Bolt (M5 x 18L)	2	46	62046	Spacer	1
10	62010	Spacer	1	26	62026	Dust Cover	1	47	62047	Retaining Ring (ETWJ-4)	1
11	62011	Retaining Ring (RTW-18)	1	27	62027	Nipple	1	48	62048	Bolt	1
12	62012	Distance Collar	1	28	62028	Spring	1	49	62049	Bolt (M5.12L)	1
13	982-045-0	Ball Bearing (608ZZ)	1	29	62029	Silencer	1	50	62050	Spacer	1
14	62014	Rear End Plate	1	30	62030	Screw (M4 x 25L)	1	51	62060	Grinding Belt	1
15	62015-12	Rotor	1	31	62031	Lever Support	1	52	OR02607108	O-Ring (26.7 x 1.78)	1
		(If serial # is prior to E1106001 use part #62015)		32	62032	Screw (M4 x 8L)	2				
16	62016-12	Rotor Blade (11.6 mm width)	4	33	40147	Spring Washer (M4)	2				
		(If serial # is prior to E1106001 use part #62016, Rotor Blade 9.8 mm width)		34	62034	Nut (M4)	1				
				35	62035	Bushing	1				
				36	62036	Finger Pad	1				
				37	62037	Washer (M5)	1				

FOOTNOTES

EAGLE GROUP
A Division of AIMCO

10000 SE PINE
PORTLAND, OR 97216
503-254-6600
FAX 503-255-2615

When ordering spare parts, please specify tool type, part number, and description