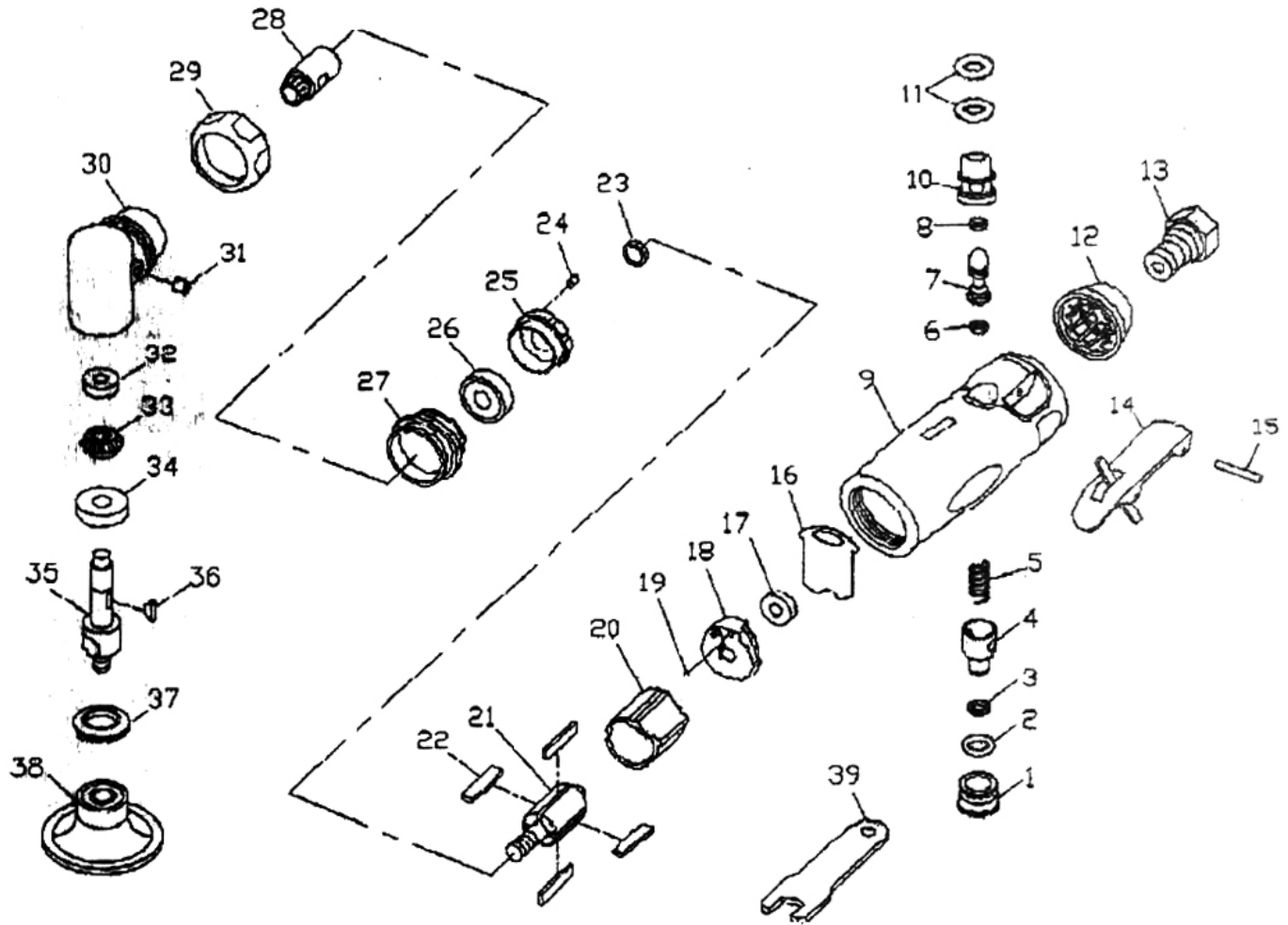


6133EC 2" ANGLE SANDER

EXPLODED VIEW



PARTS LIST — FOR REFERENCE ONLY

Index Number	Part Number	Description	Qty.	Index Number	Part Number	Description	Qty.	Index Number	Part Number	Description	Qty.
1	3017001	Plug Screw	1	10	3017010	Valve Bushing	1	31	3017031	Grease Cap	1
	6133EC-RK	Repair Kit (Parts available in kit only)	1	12	3017012	Muffler	1	32	3017032	Bearing	1
2		O-Ring	1	13	3017013	Air Inlet	1	33	3017033	Spindle Gear	1
3		O-Ring	1	14	3017014	Lever	1	34	3017034	Bearing	1
5		Valve Spring	1	15	3017015	Lever Pin	1	35	3017035	Spindle	1
6		O-Ring	1	16	3017016	Steel Plate	1	36	3017036	Woodruff Key	1
8		O-Ring	1	18	3017018	Bearing Plate	1	37	3017037	Clamp Nut	1
11		O-Ring	2	19	3017019	Ball	1	38	3017038	2" Backing Pad	1
17		Bearing	1	20	3017020	Cylinder	1	39	3017039	Wrench (11 mm)	1
22		Rotor Blade	4	21	3017021	Rotor	1				
26		Bearing	1	23	3017023	Rotor Collar	1				
4	3017004	Air Regulator	1	24	3017024	Locating Pin	1				
7	3017007	Valve Stem	1	25	3017025	Bearing Plate	1				
9	3017009	Motor Housing	1	27	3017027	Lock Ring	1				
				28	3017028	Pinion Gear	1				
				29	3017029	Cap	1				
				30	3017030	Angle Head Housing	1				

FOOTNOTES

EAGLE
GROUP
A Division of AIMCO

10000 SE PINE
PORTLAND, OR 97216
503-254-6600
FAX 503-255-2615

When ordering spare parts, please specify
tool type, part number, and description