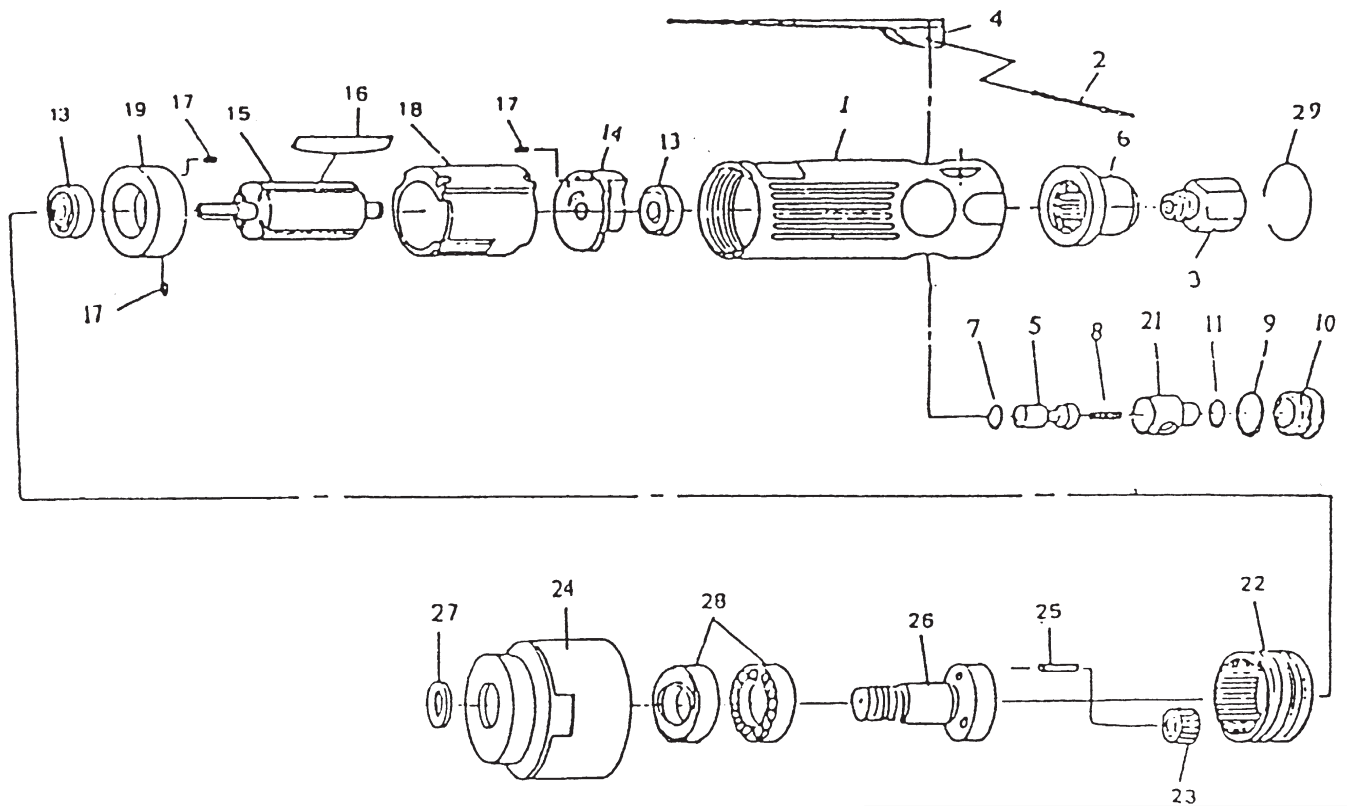


7100 INLINE DRILL

EXPLODED VIEW



PARTS LIST — FOR REFERENCE ONLY

Index Number	Part Number	Description	Qty.	Index Number	Part Number	Description	Qty.	Index Number	Part Number	Description	Qty.
1	51201	Motor Housing	1	10	20310	Throttle Valve Plug	1	28	80227	Ball Bearing 626ZZ	2
2	30102	Lever Pin	1	14	51214	Rear End Plate	1	29	51243	Retainer Ring	1
3	50103	Air Inlet	1	15	70615	Rotor	1				
4	51204	Throttle Valve	1	17	70117	Pin	3				
5	20305	Valve Stem	1	18	70118	Cylinder	1				
6	51206	Exhaust Deflector	1	19	70619	Front End Plate	1				
	7100-RK	Repair Kit (Parts available in kit only)	1	21	20321	Air Regulator	1				
7		O-Ring	1	22	71022	Internal Gear	1				
8		Valve Spring	1	23	80223	Planet Gear	3				
9		O-Ring	1	24	71024	Front Housing	1				
11		O-Ring	1	25	80225	Pin	3				
13		Ball Bearing	2	26	70626	Planet Cage	1				
16		Rotor Blades	4	27	70133	Chuck Spacer	1				

FOOTNOTES

EAGLE GROUP
A Division of AIMCO

10000 SE PINE
PORTLAND, OR 97216
503-254-6600
FAX 503-255-2615

When ordering spare parts, please specify
tool type, part number, and description

REVISED 08/18